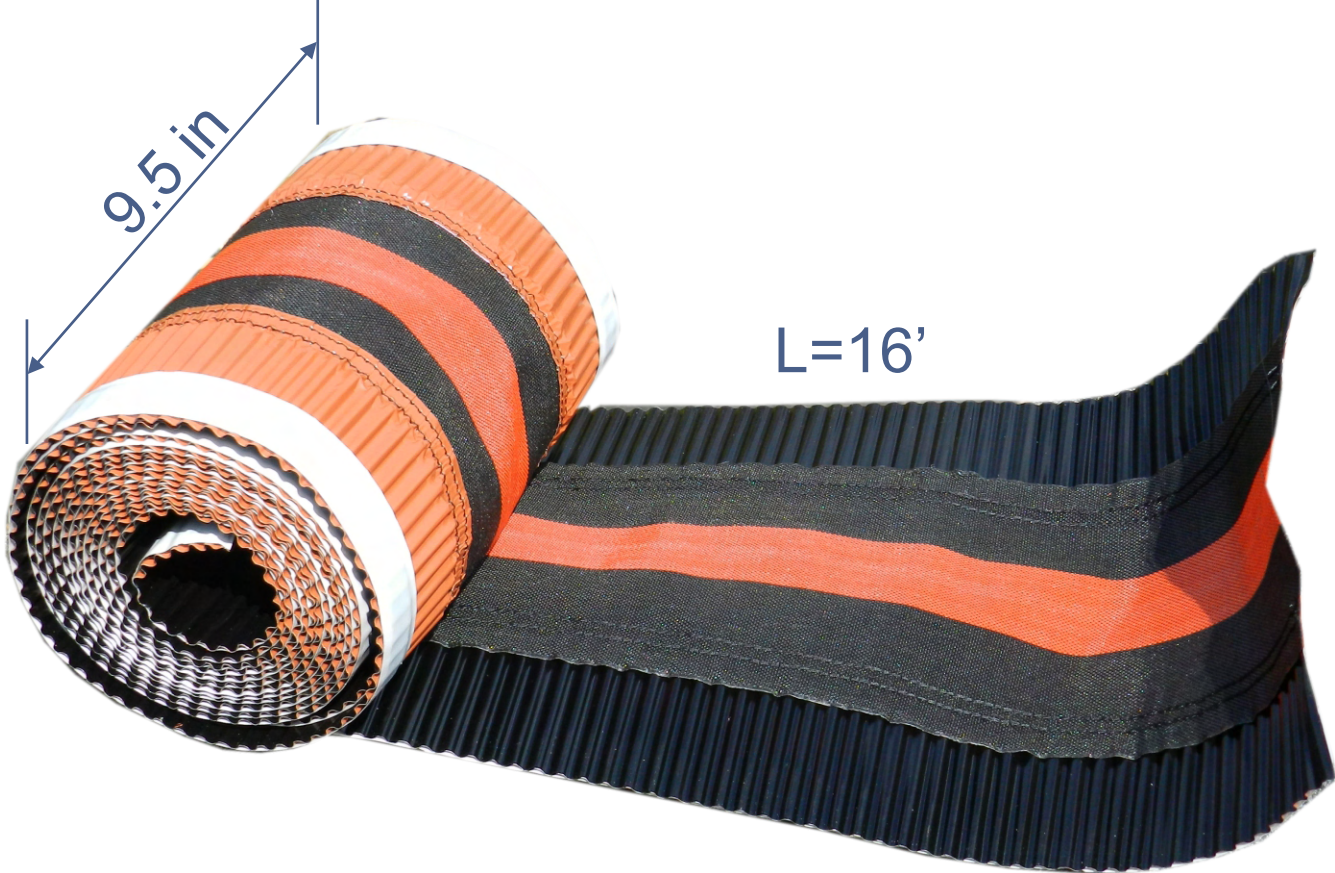
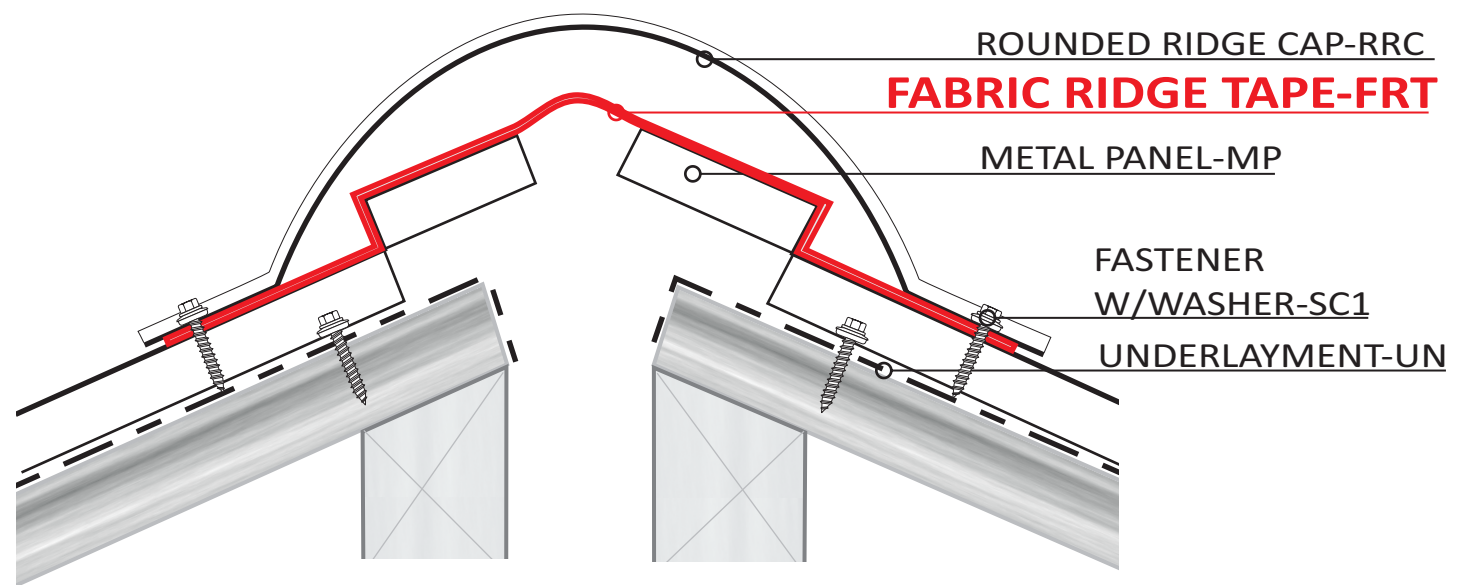
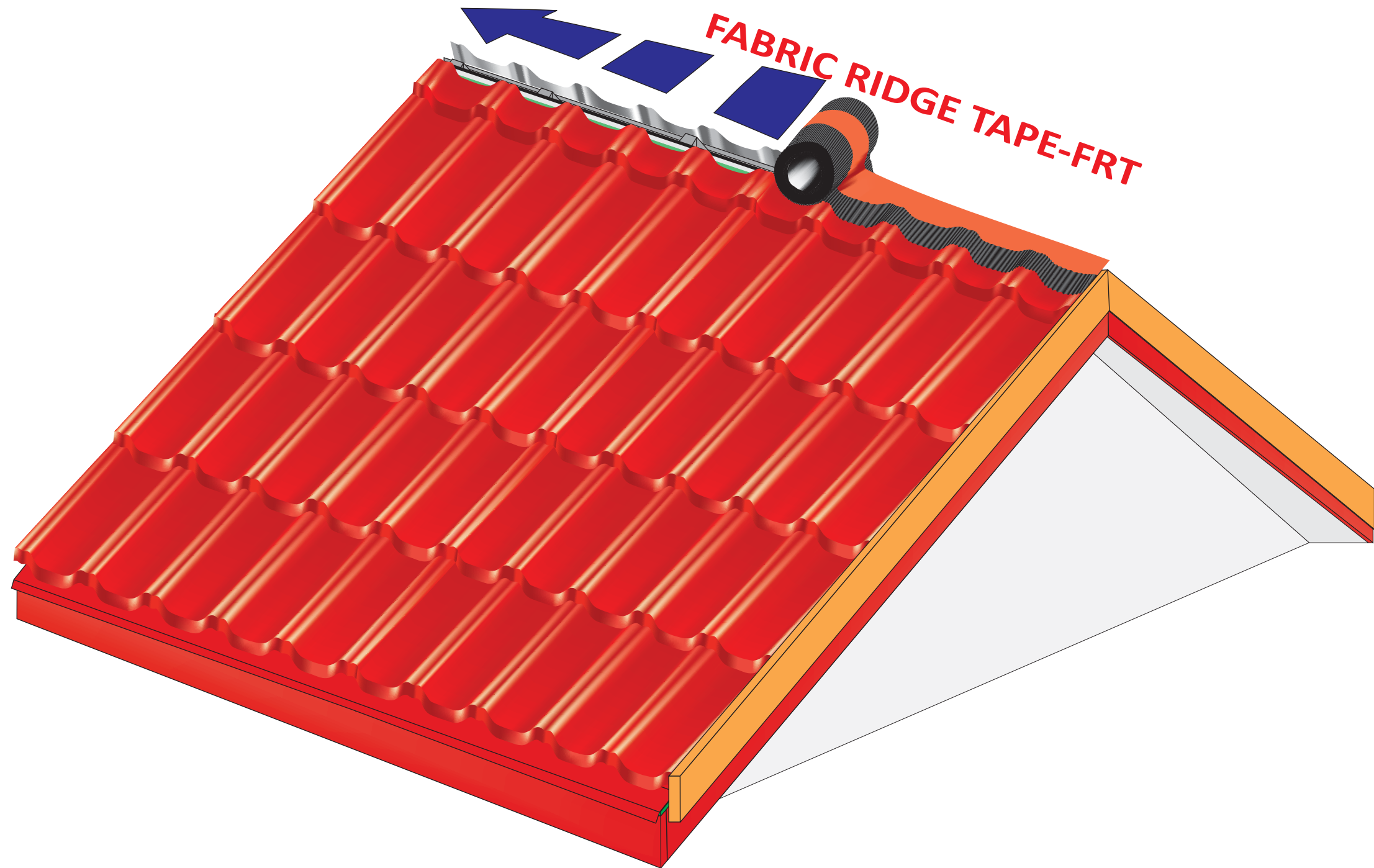


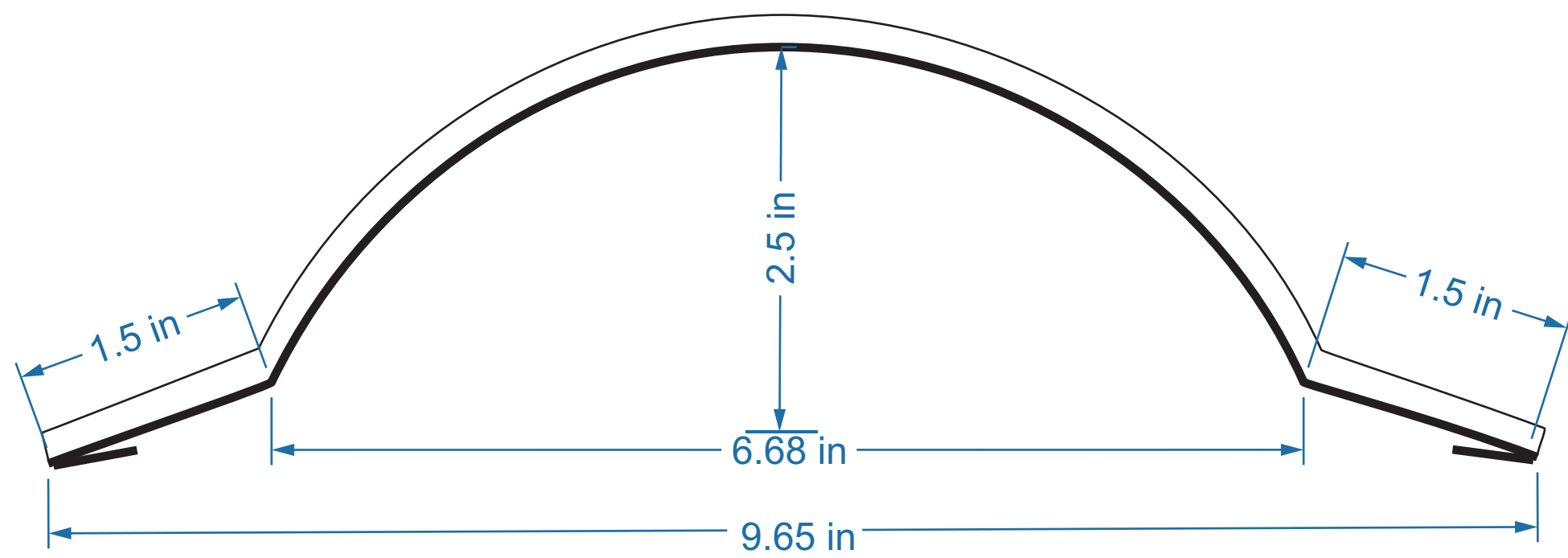
FABRIC RIDGE TAPE-FRT

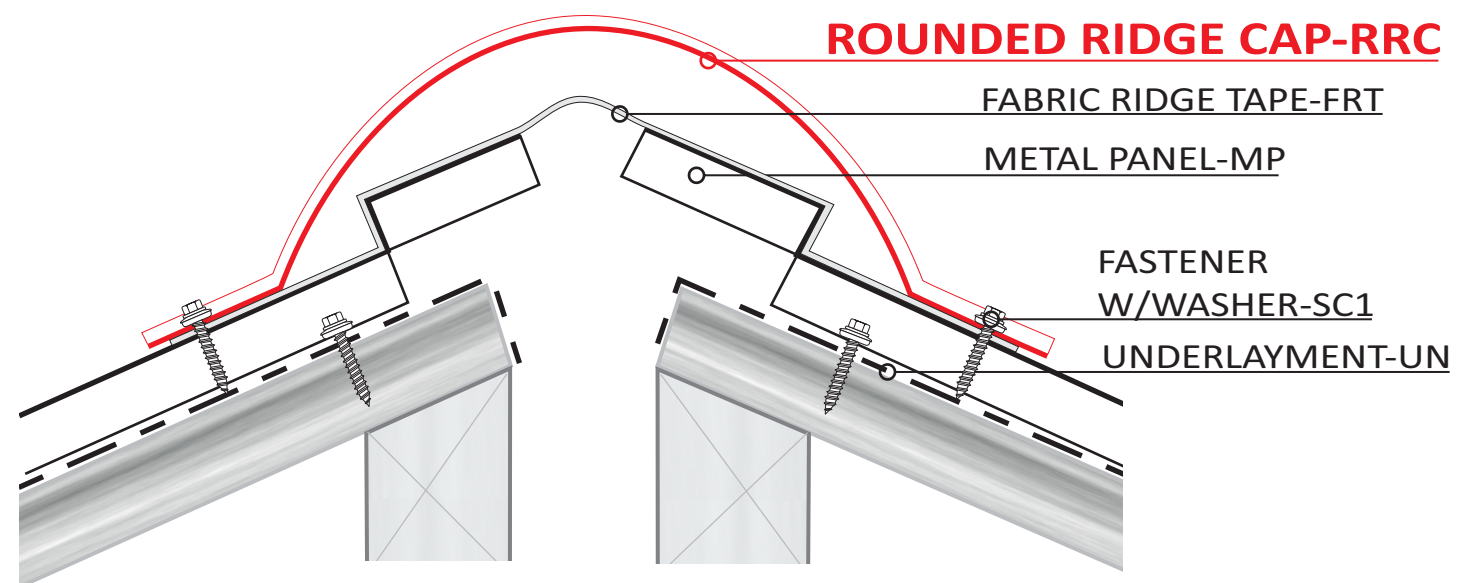




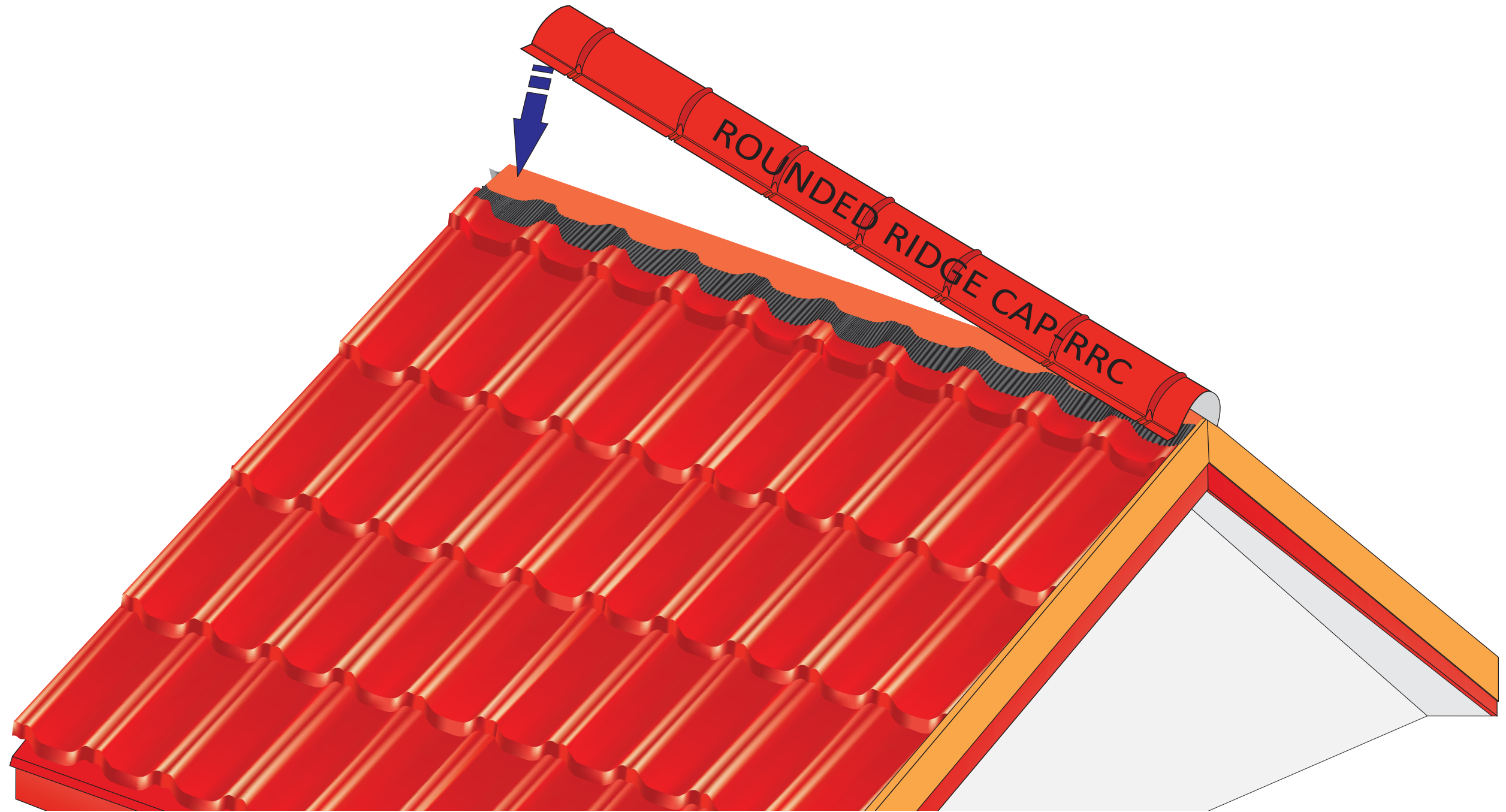
FABRIC RIDGE TAPE-FRT

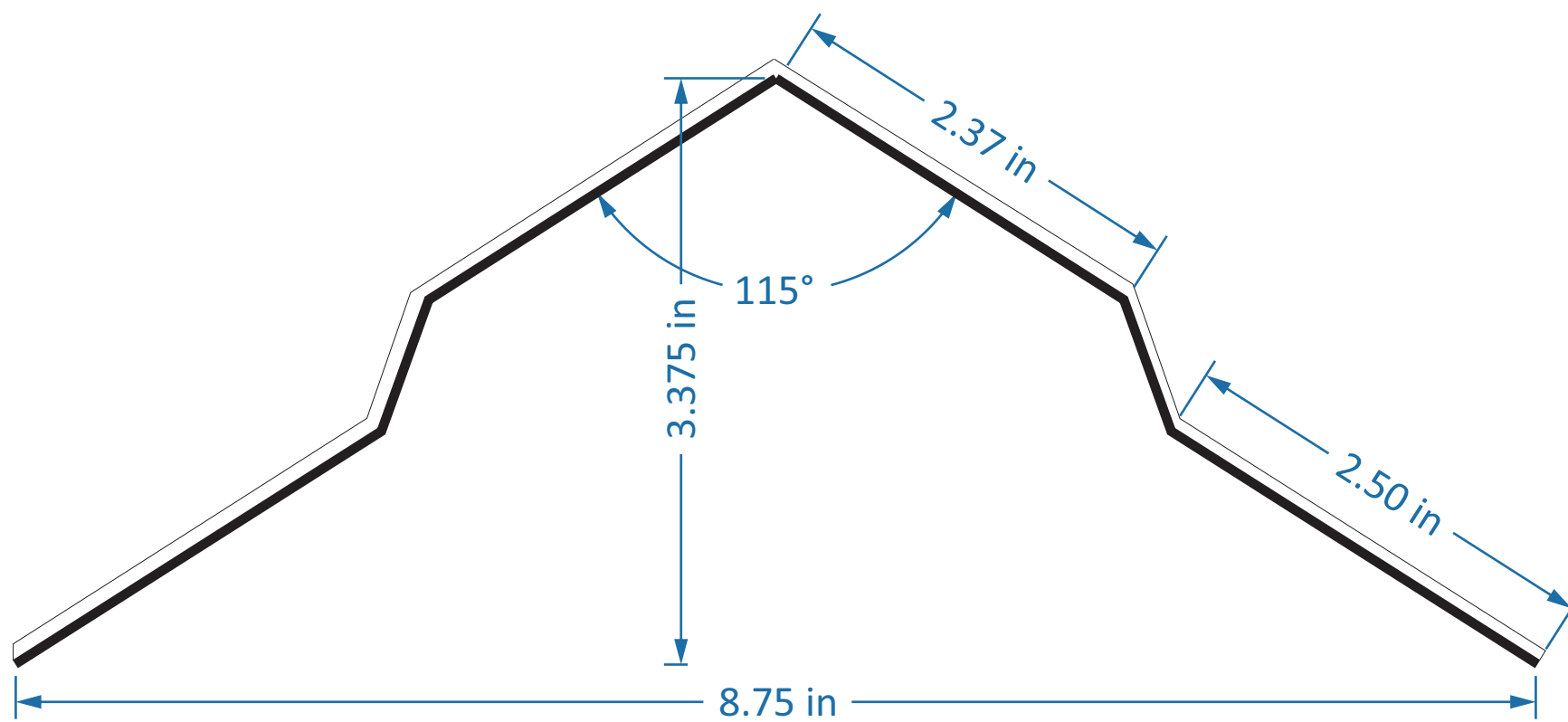


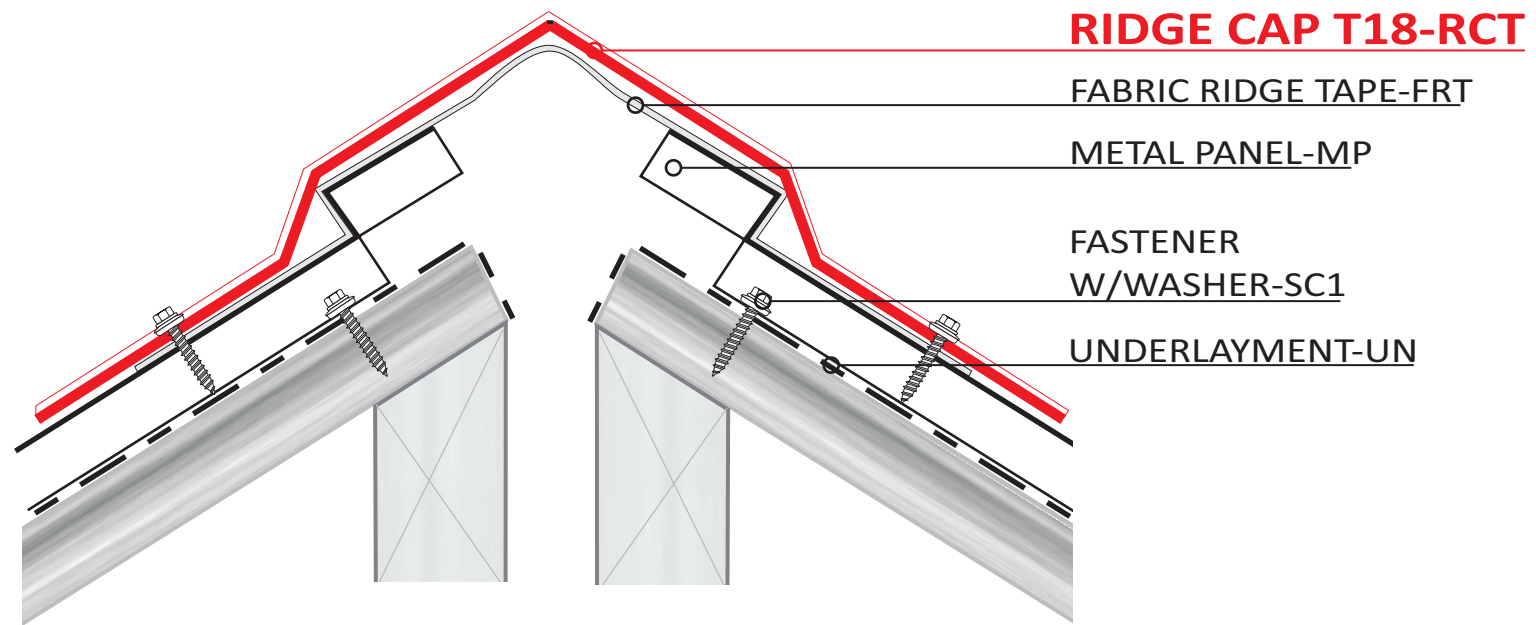


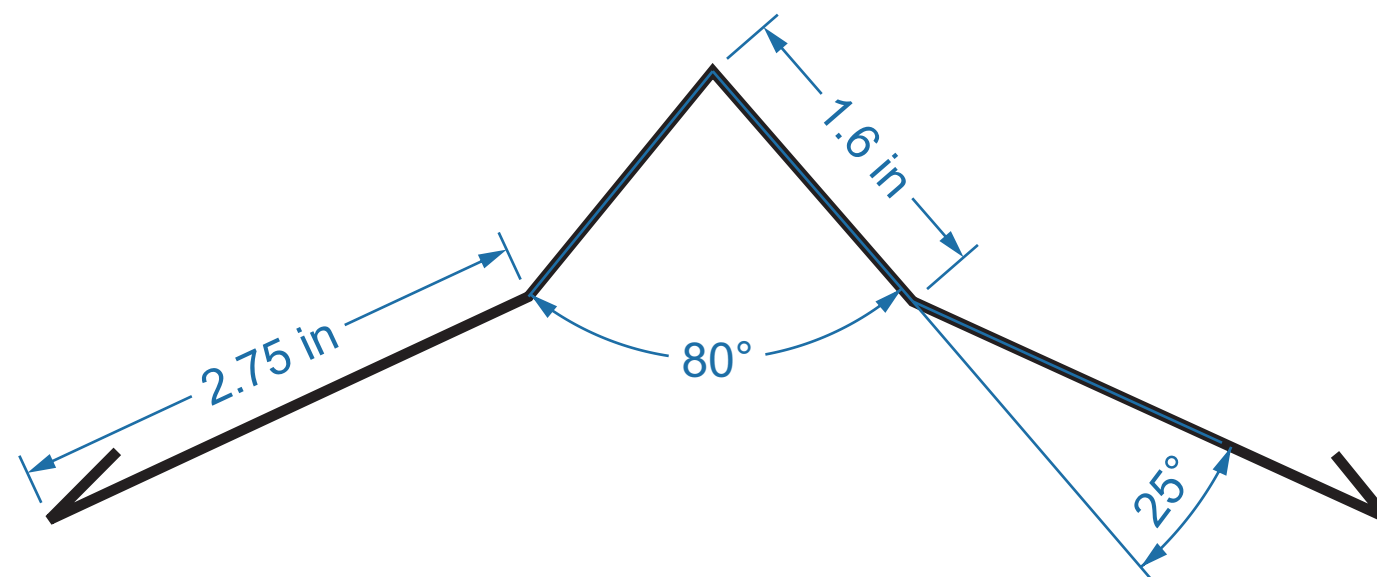


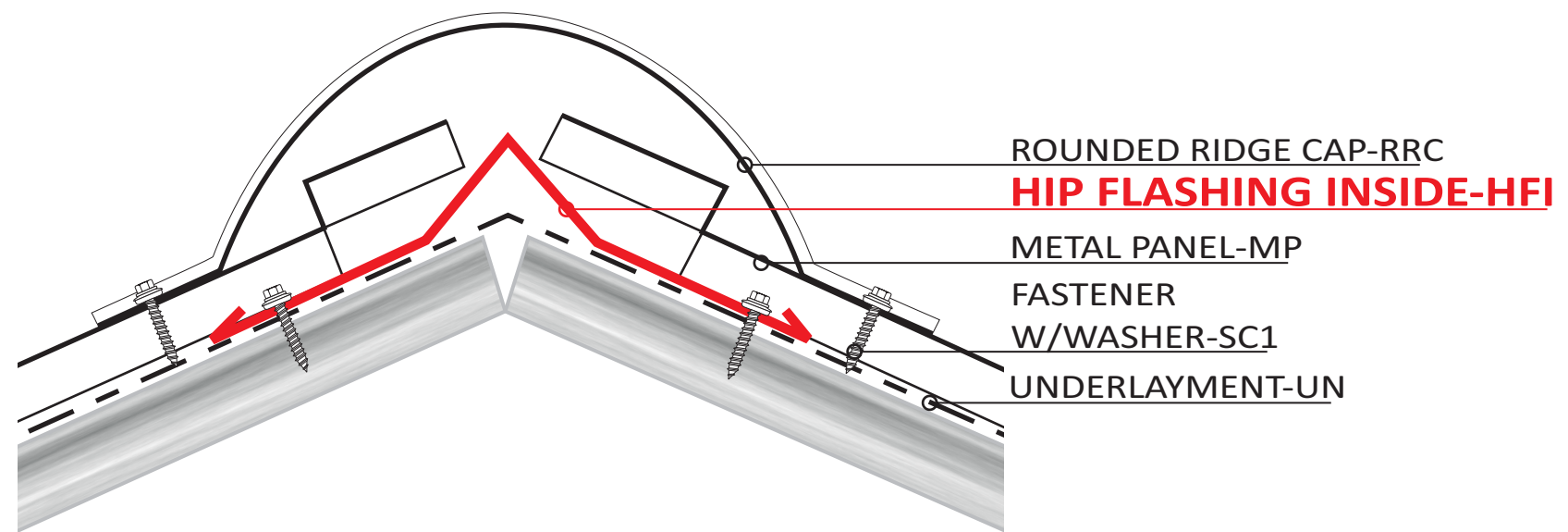
ROUNDED RIDGE CAP-RRC



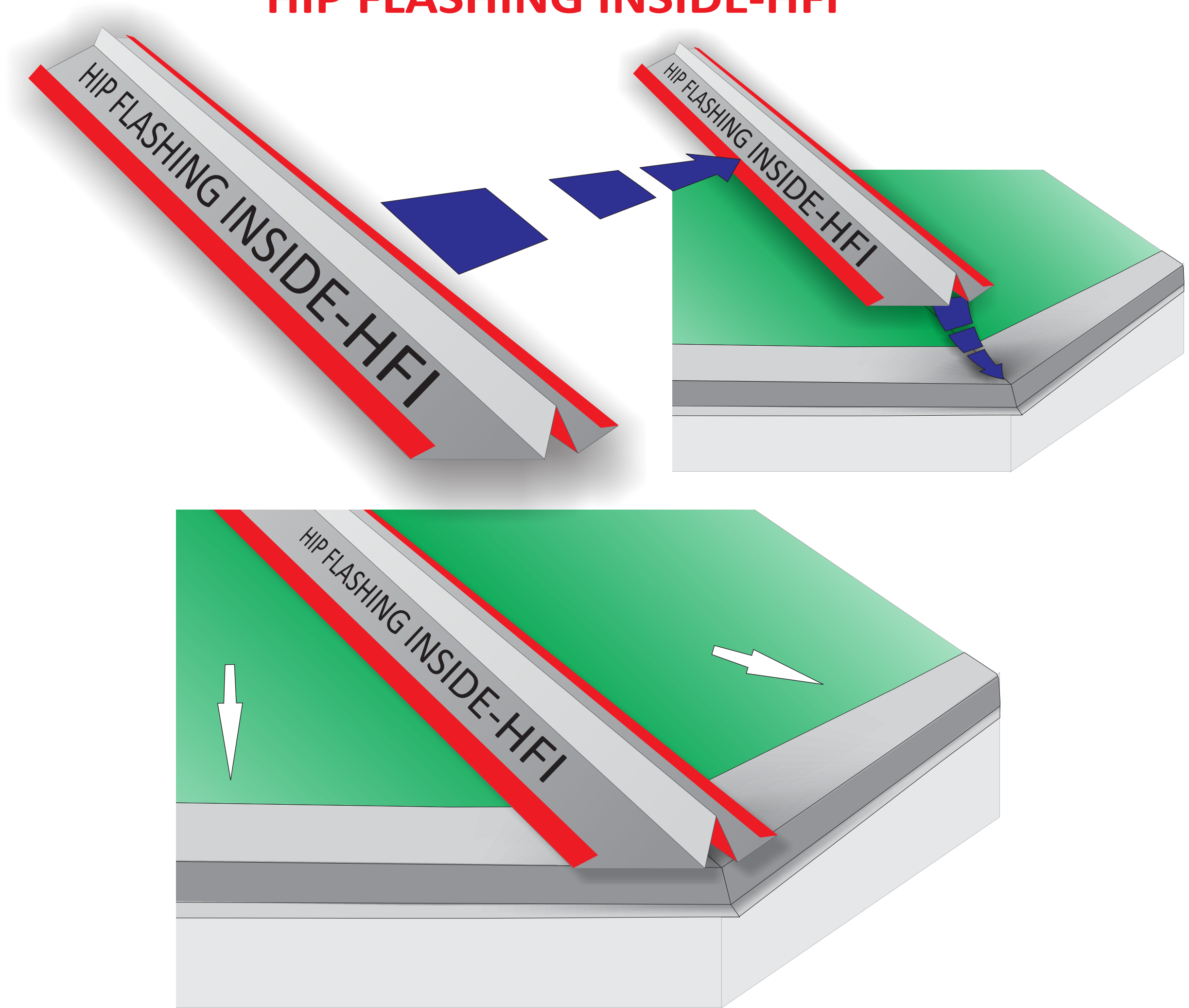


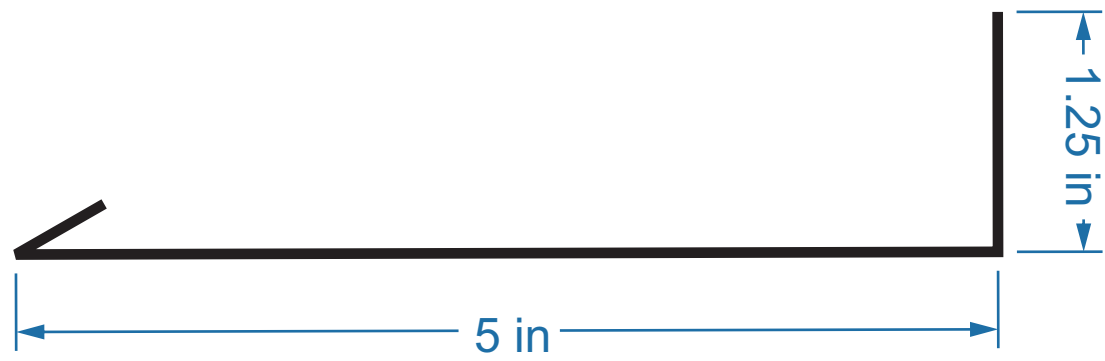




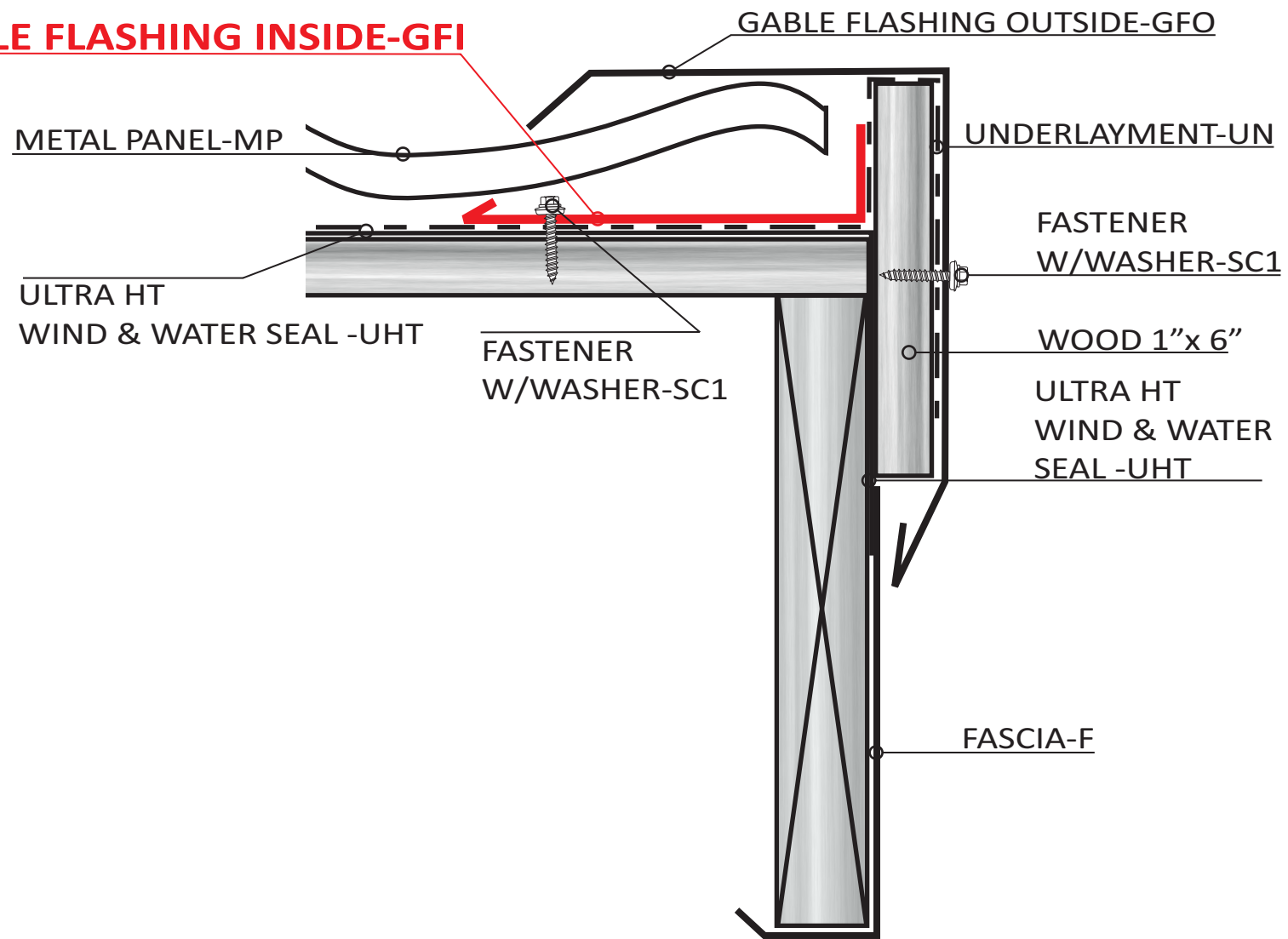


HIP FLASHING INSIDE-HFI

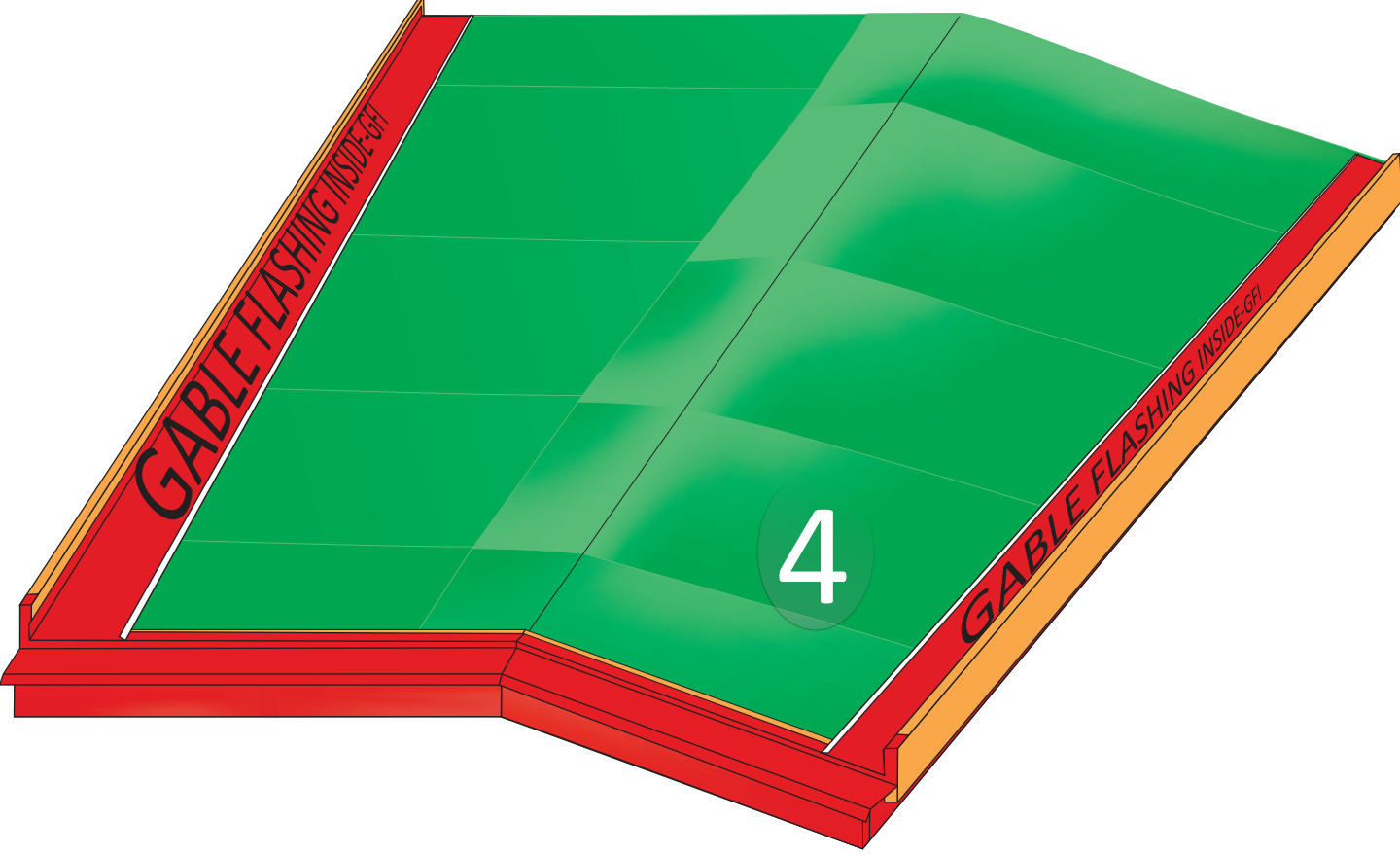
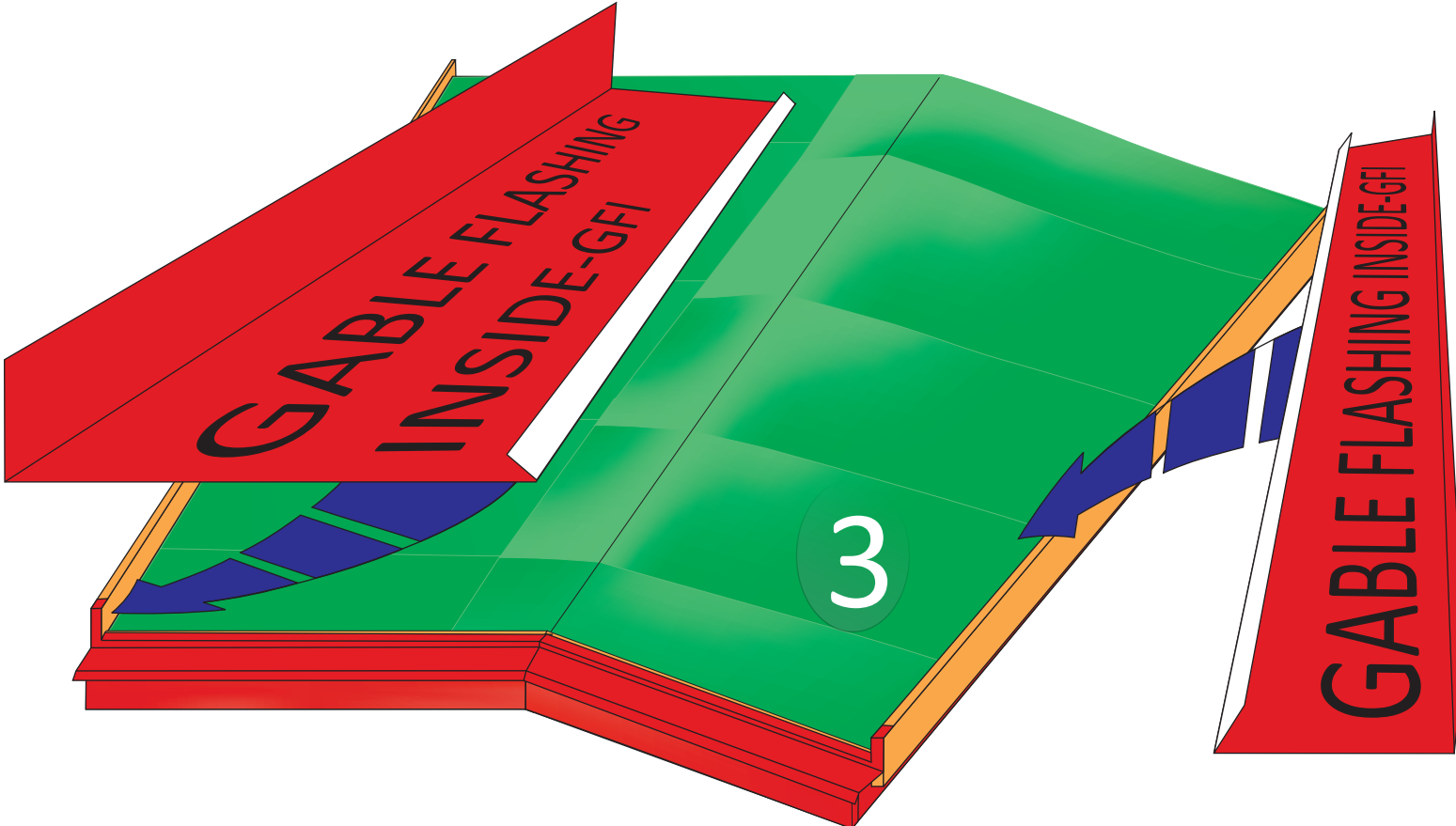
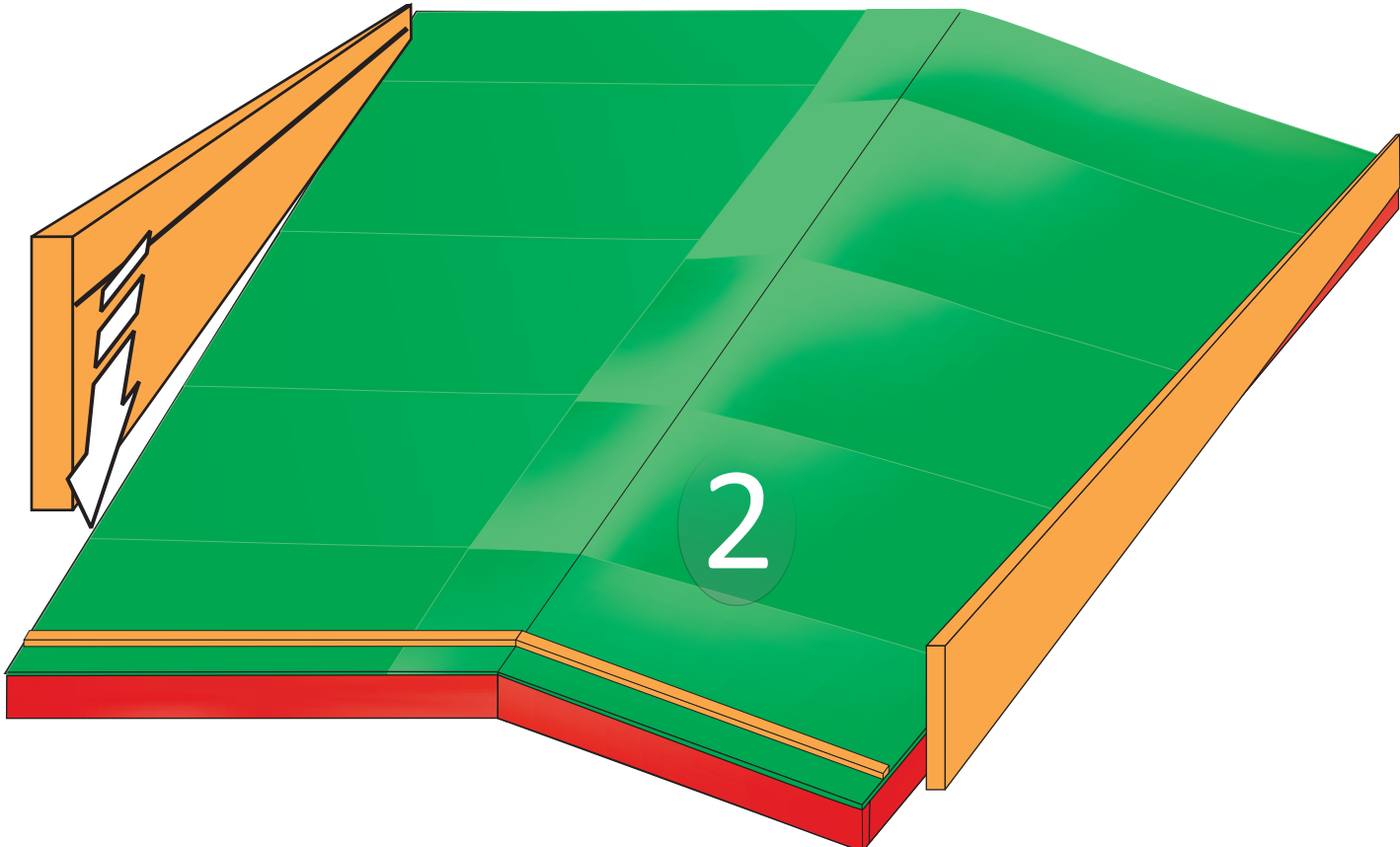
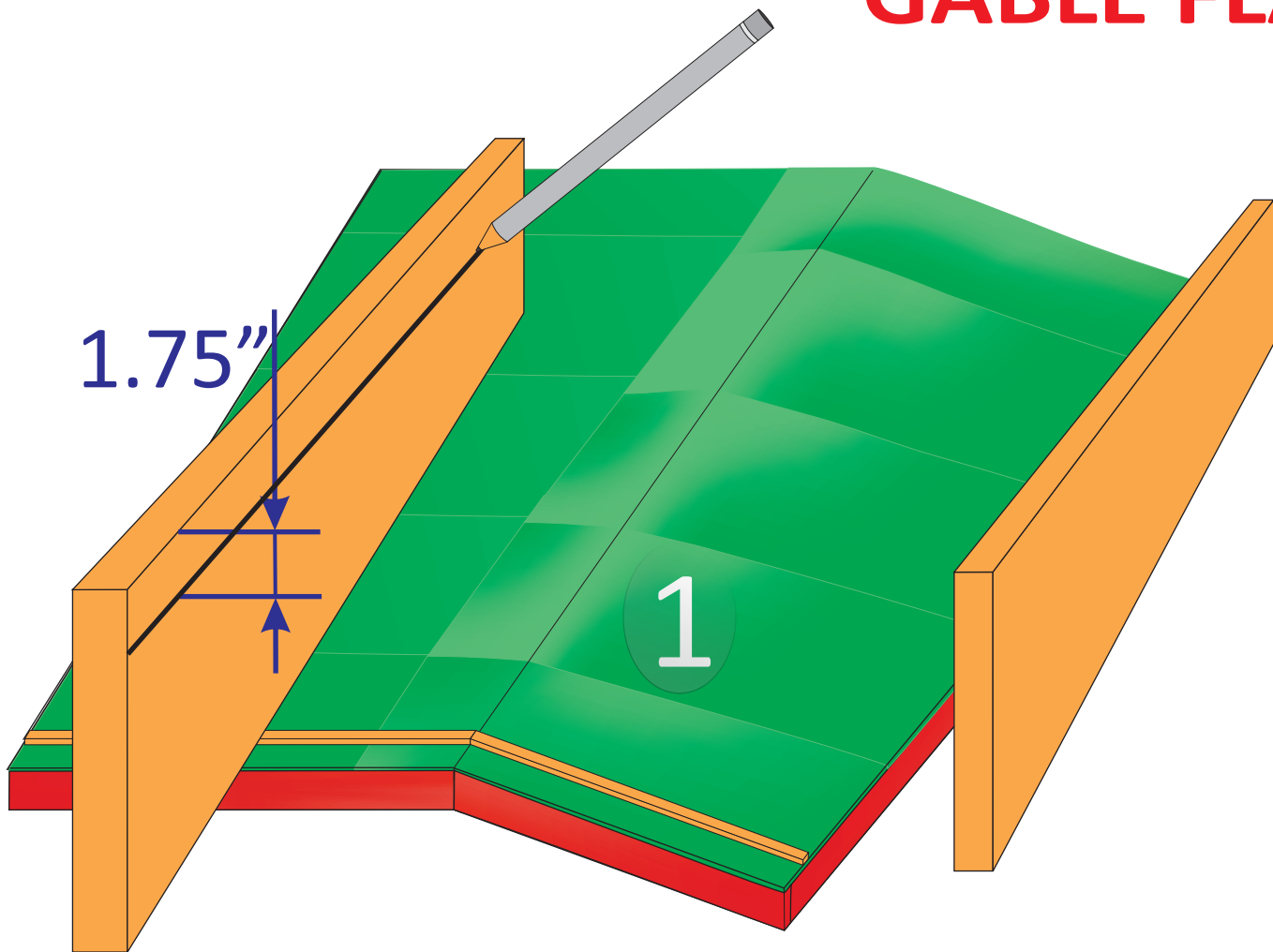




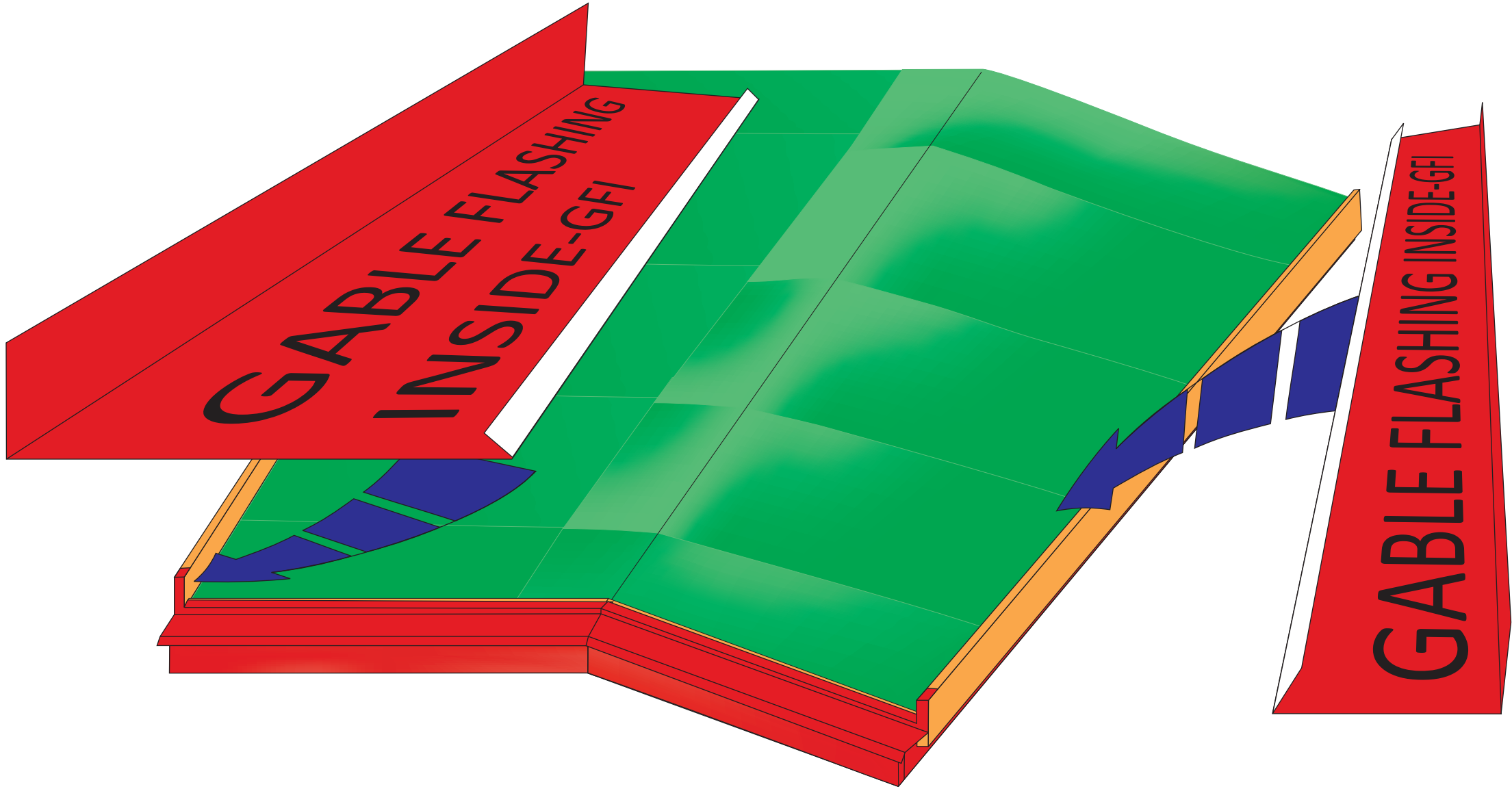
GABLE FLASHING INSIDE-GFI

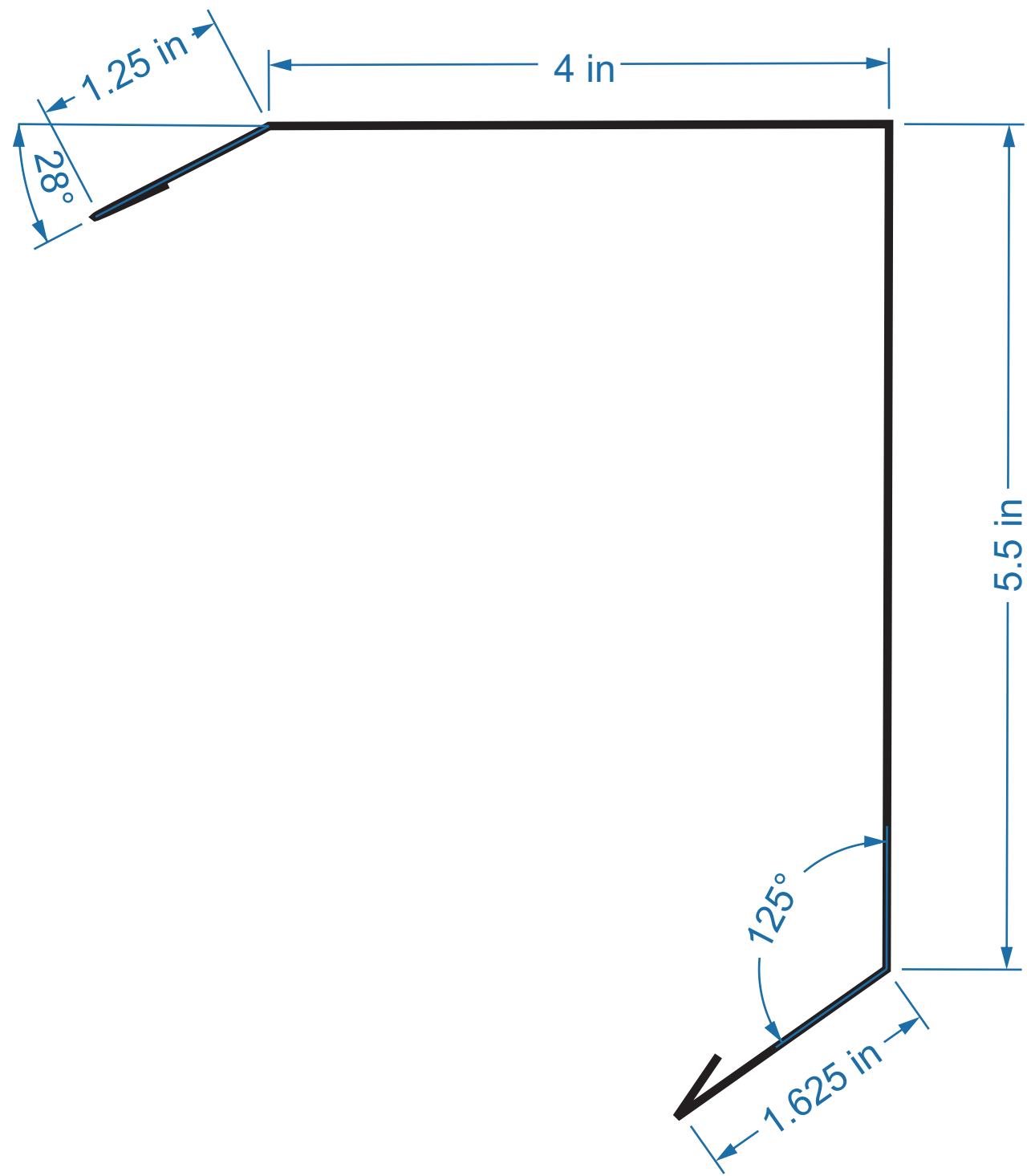


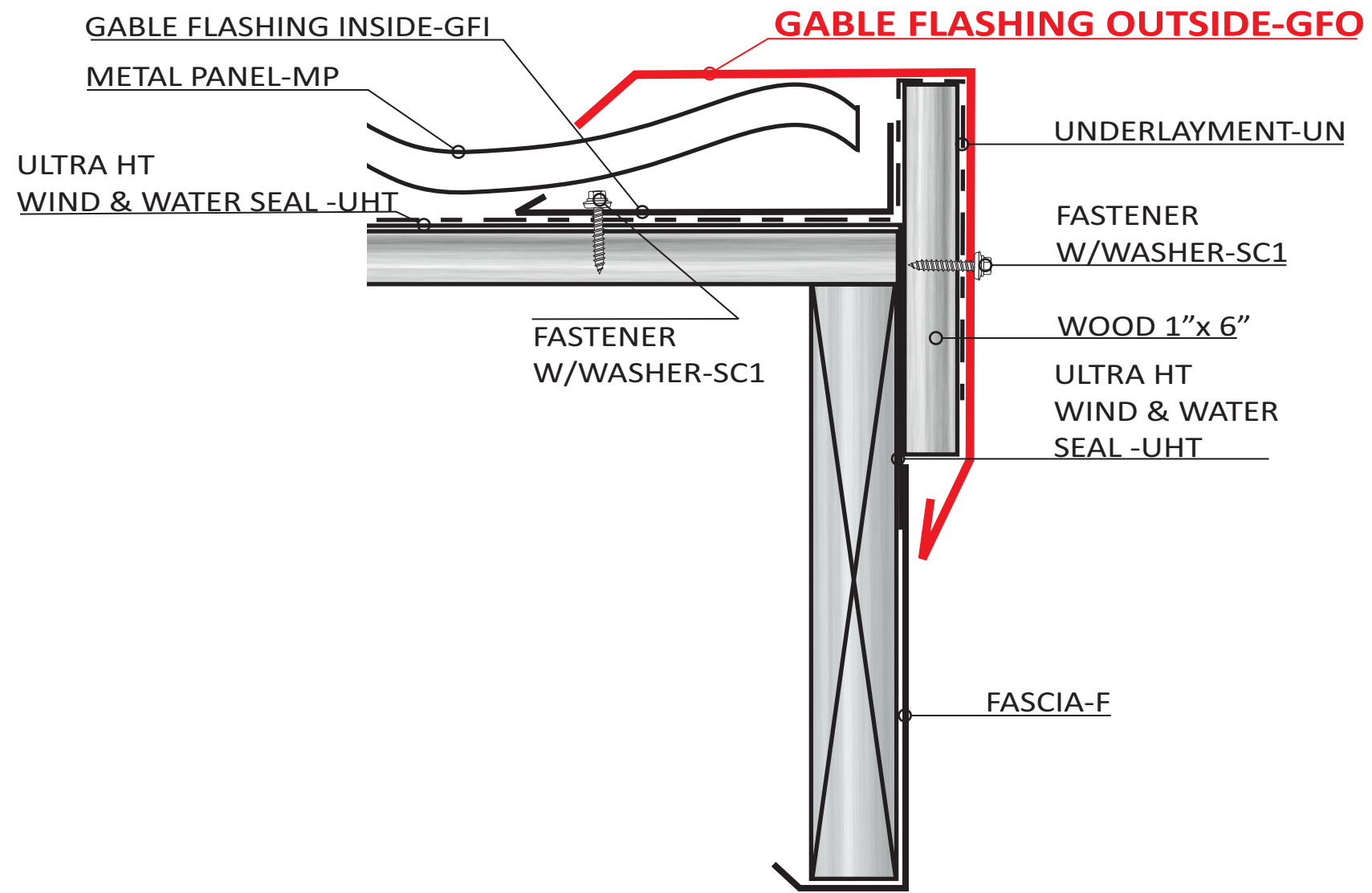
GABLE FLASHING INSIDE-GFI

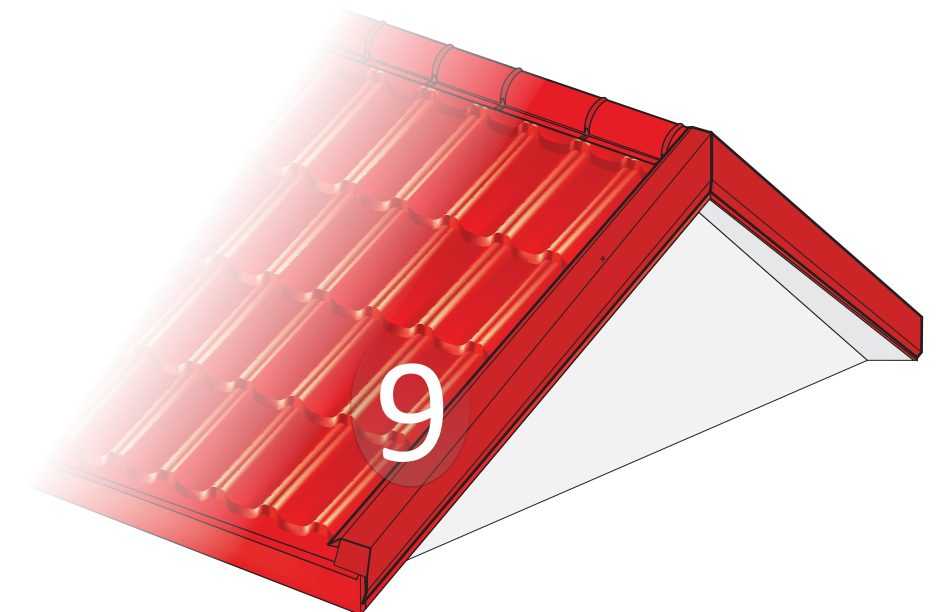
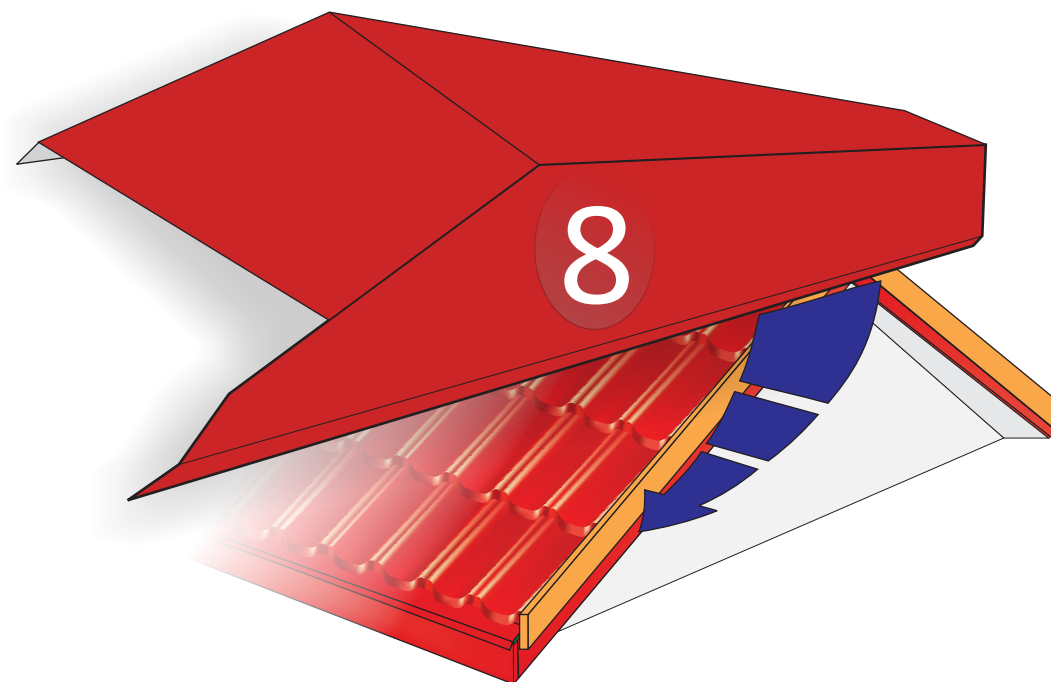
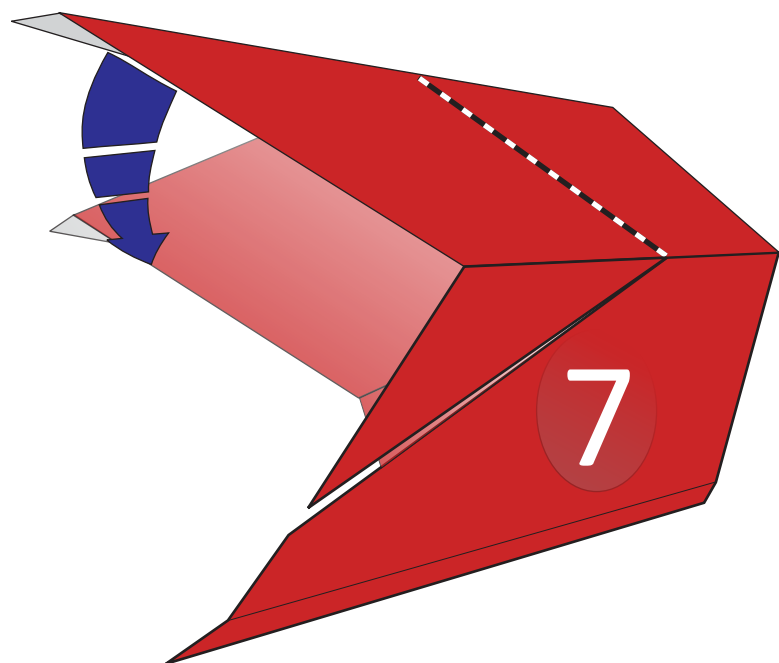
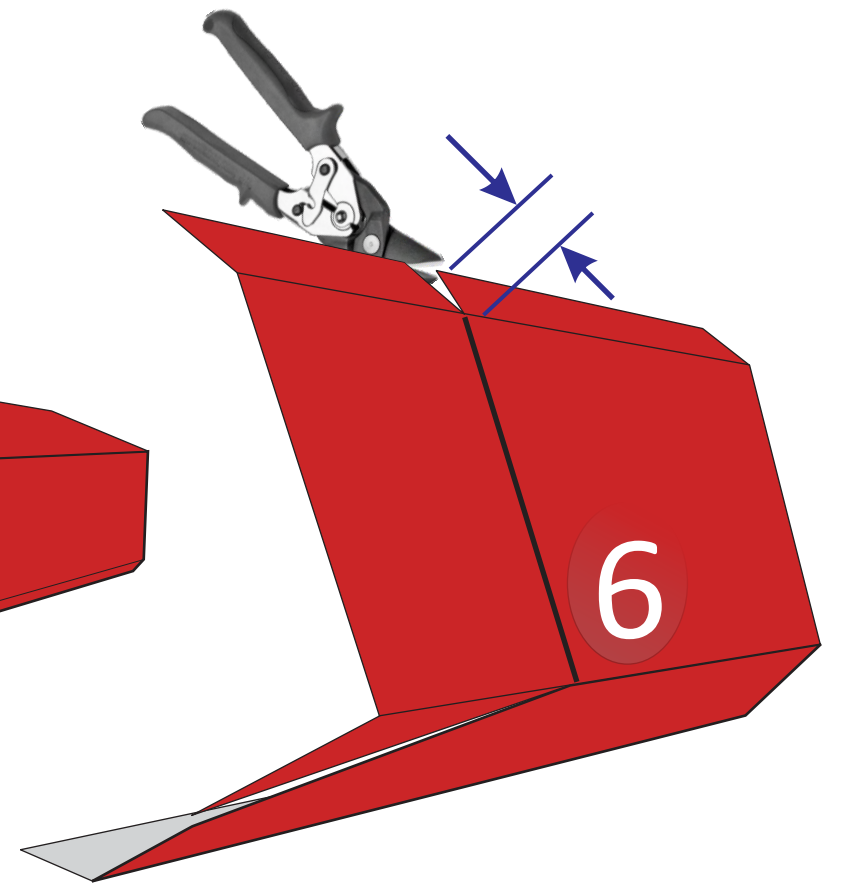
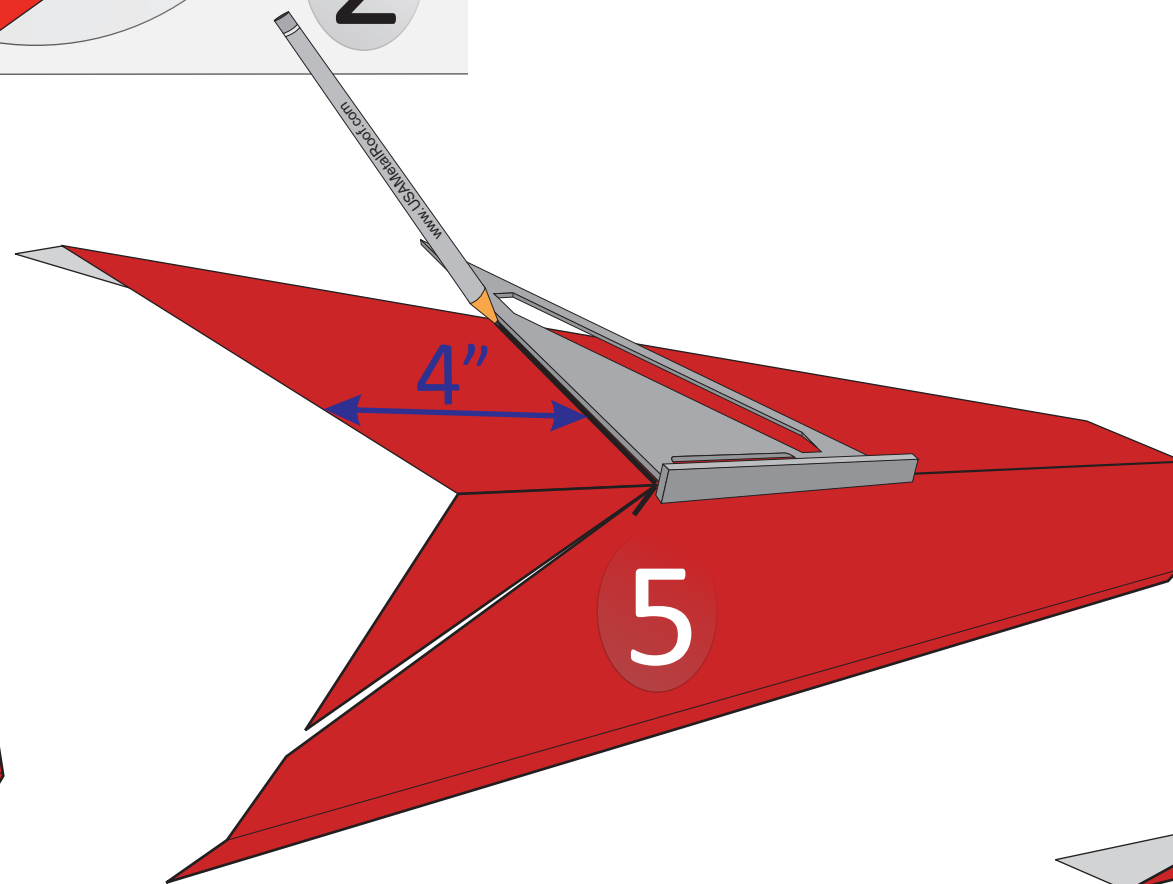
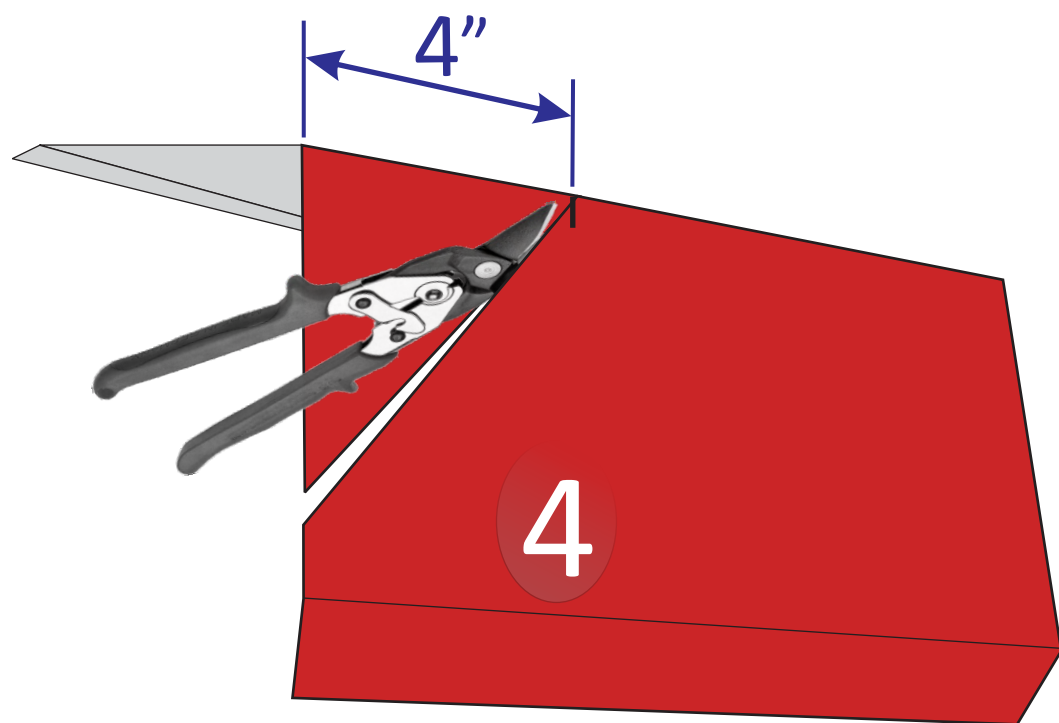
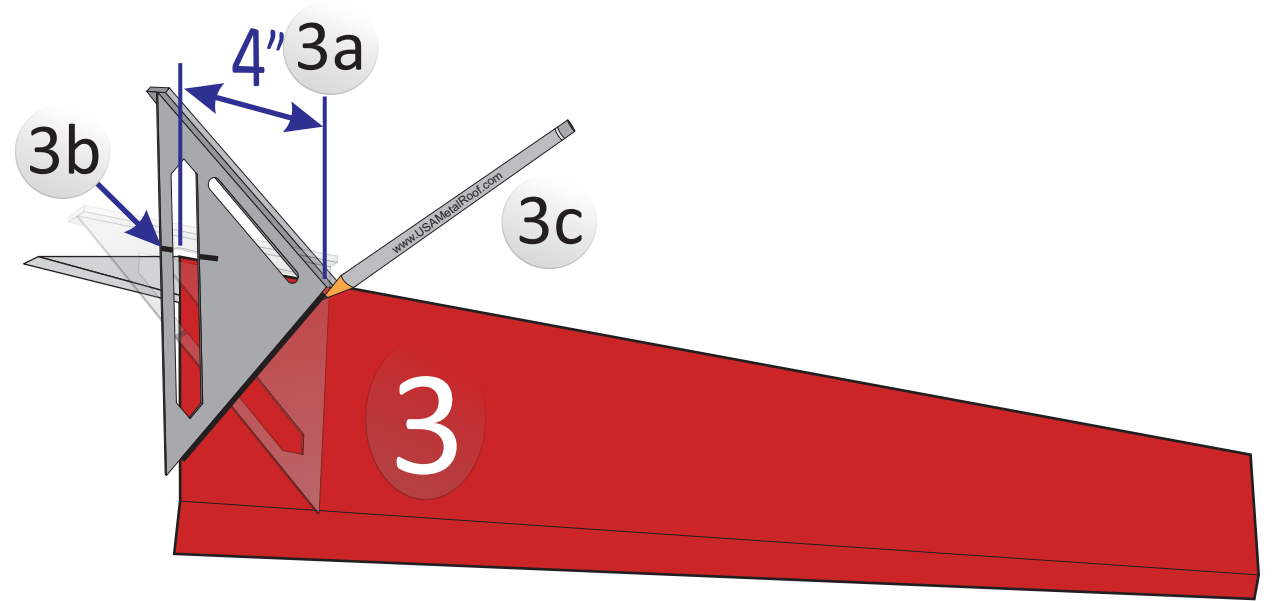
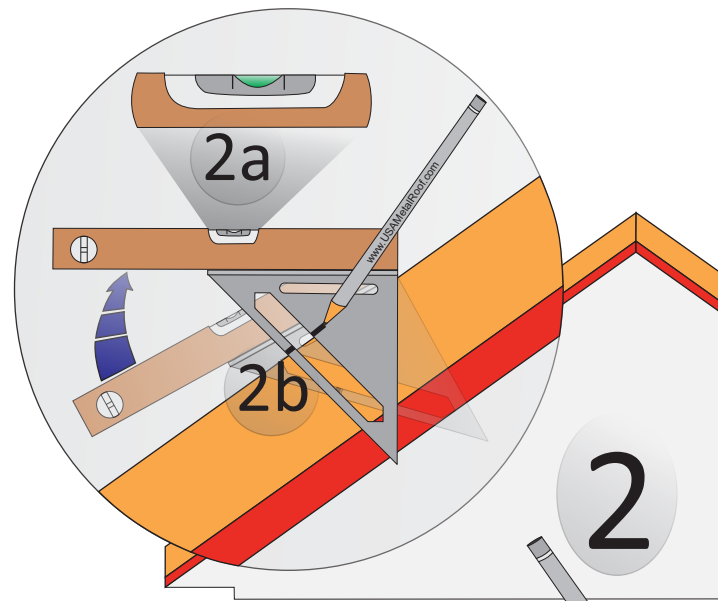
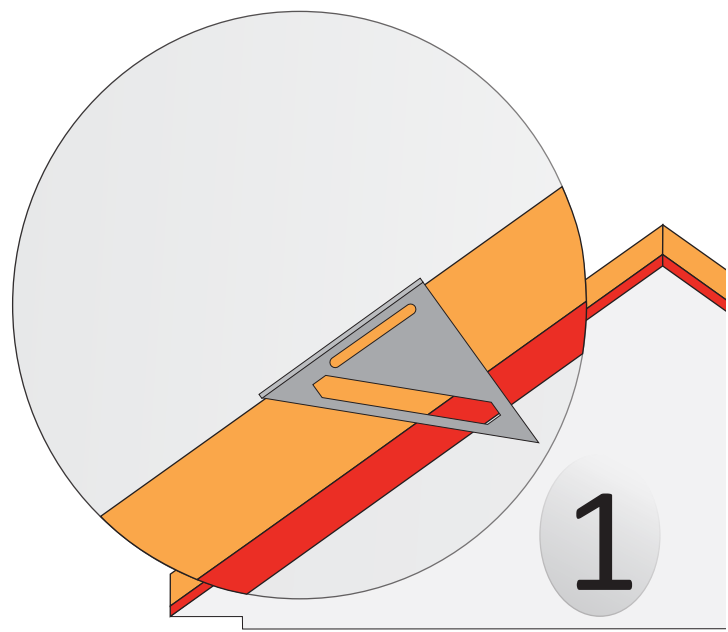


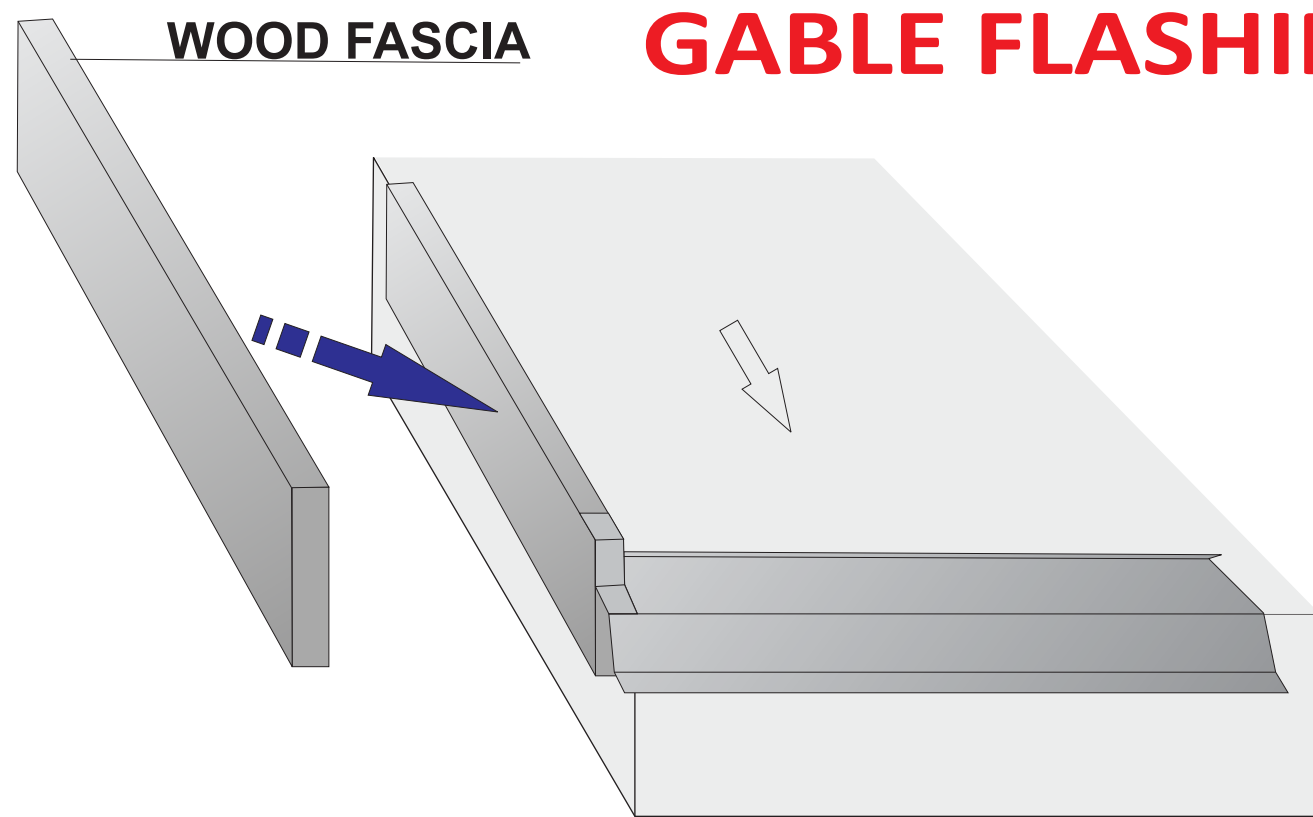
GABLE FLASHING INSIDE-GFI



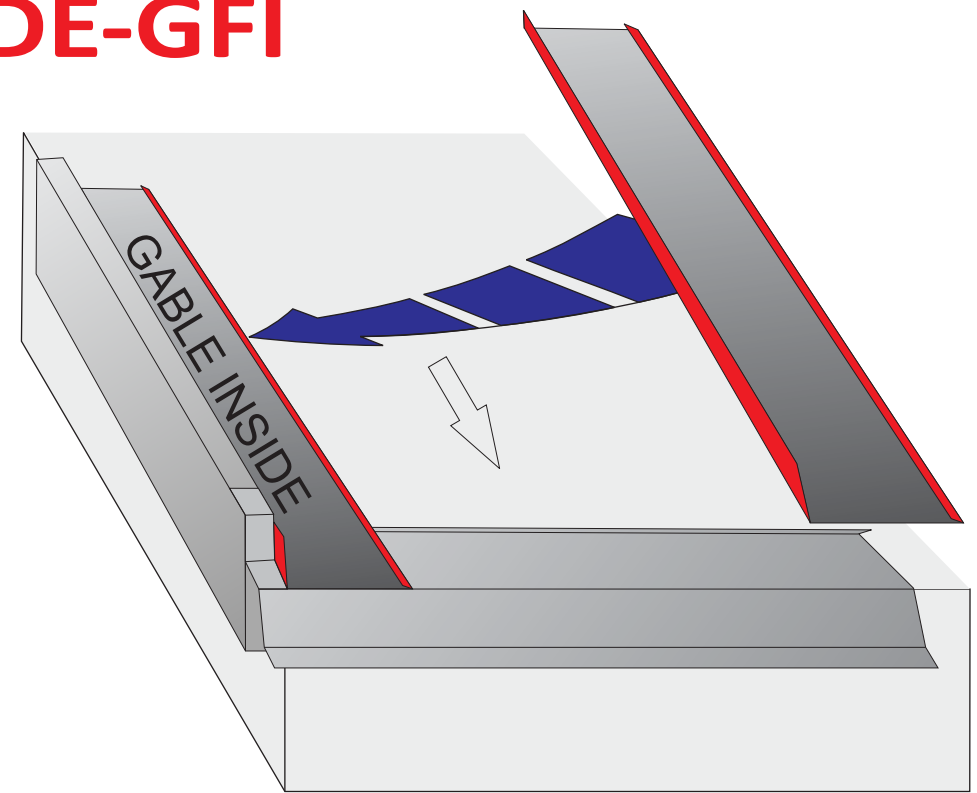






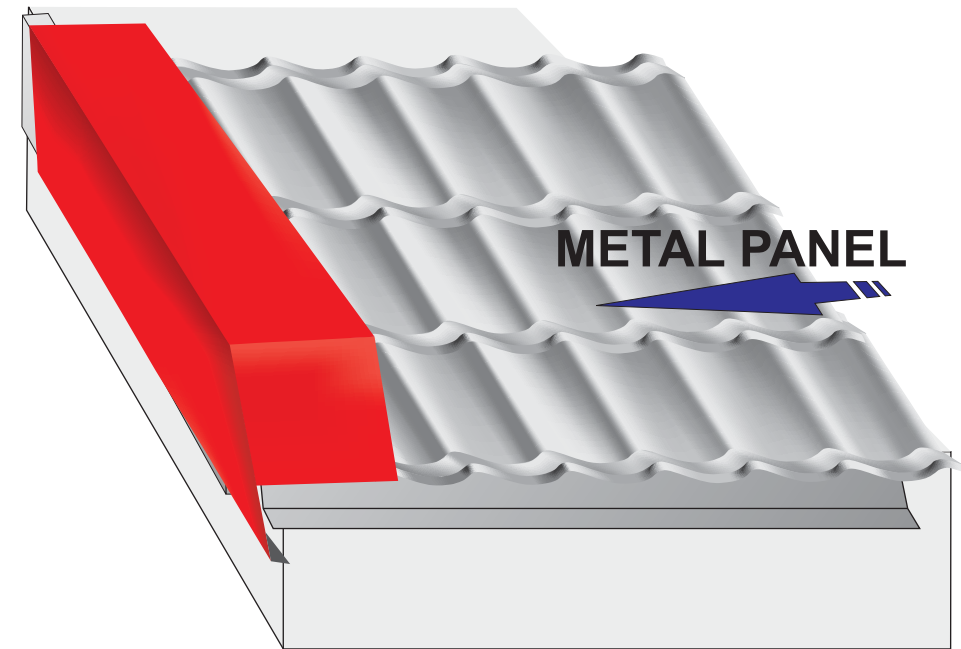
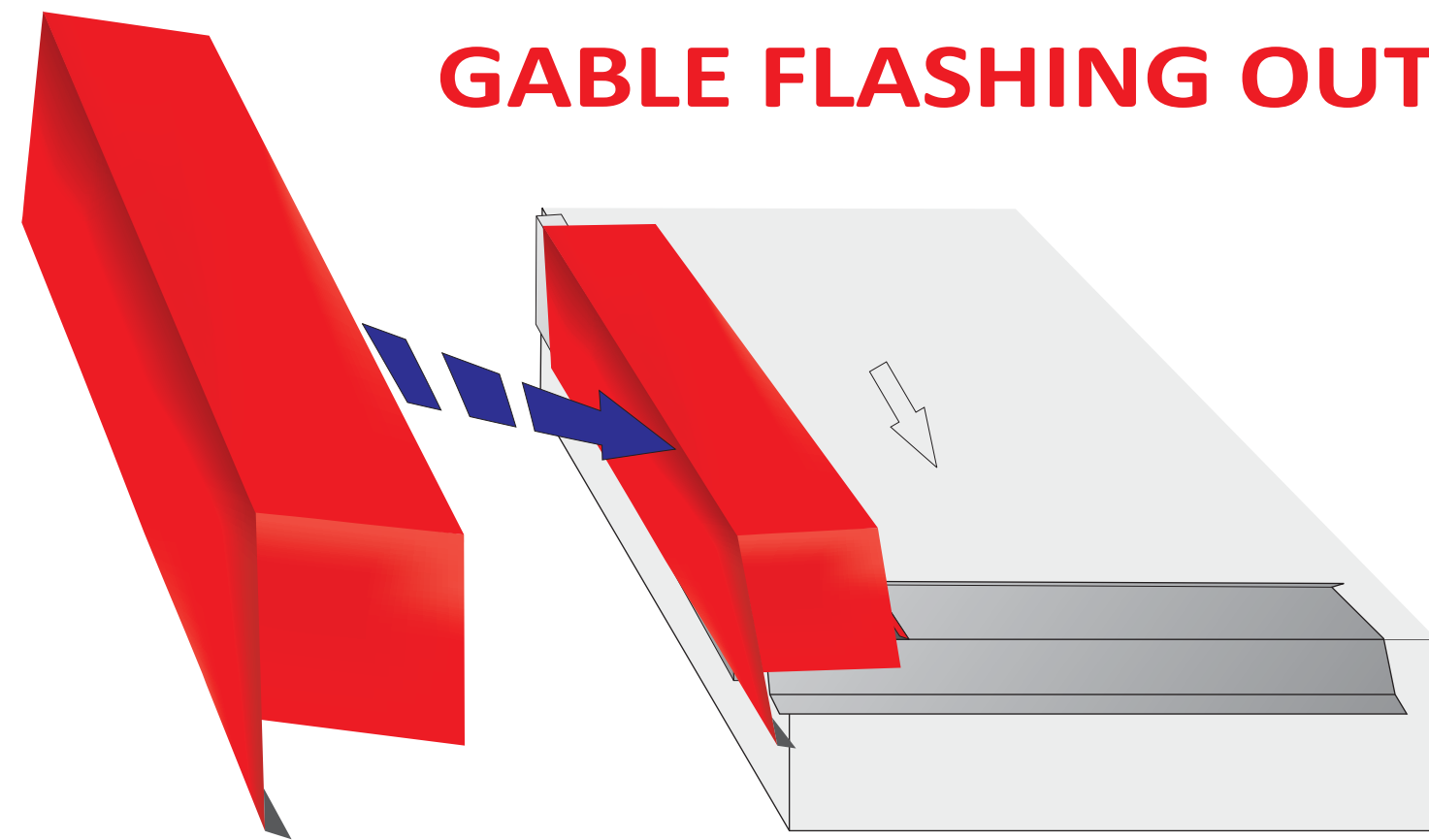


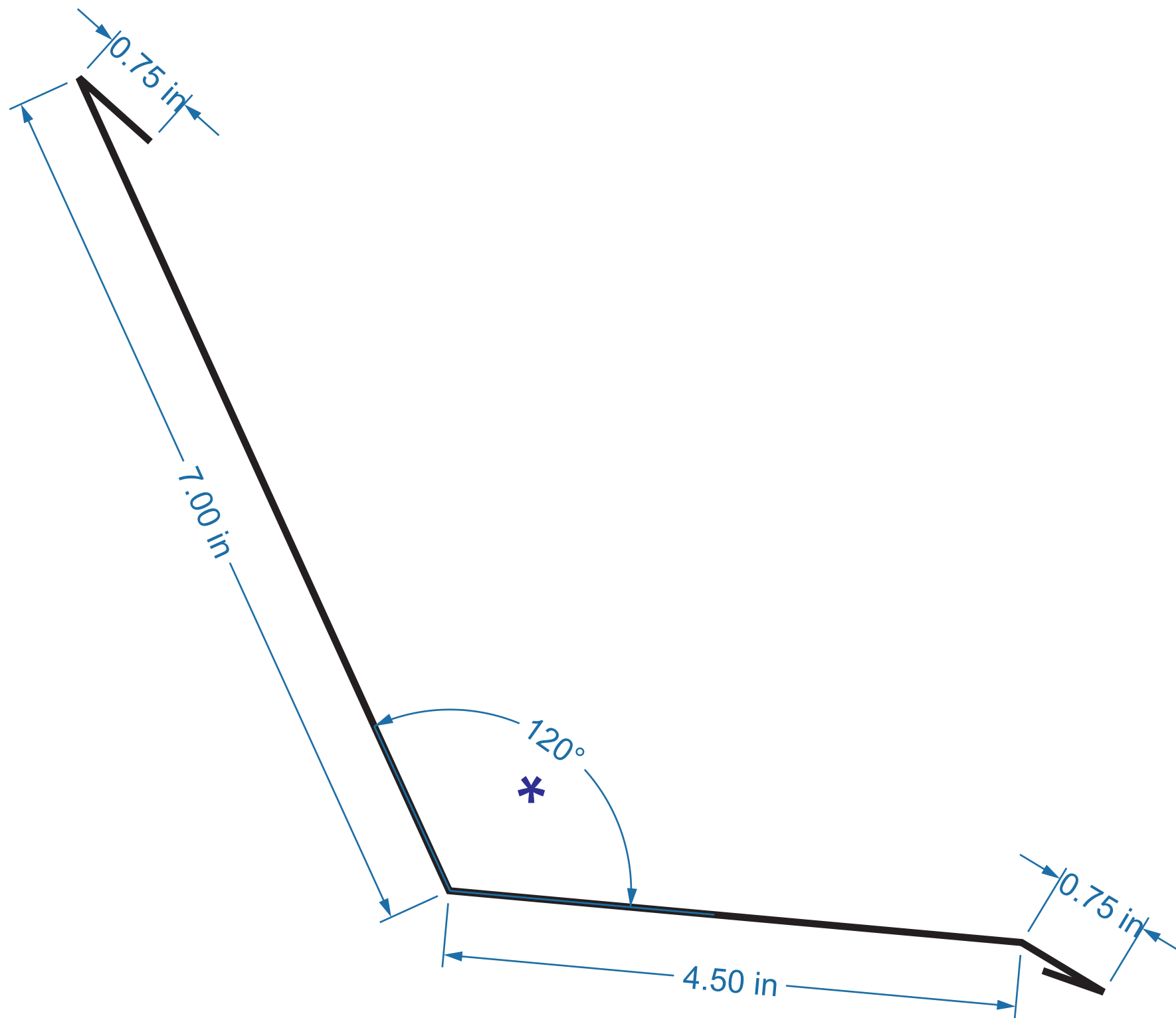
GABLE FLASHING INSIDE-GFI

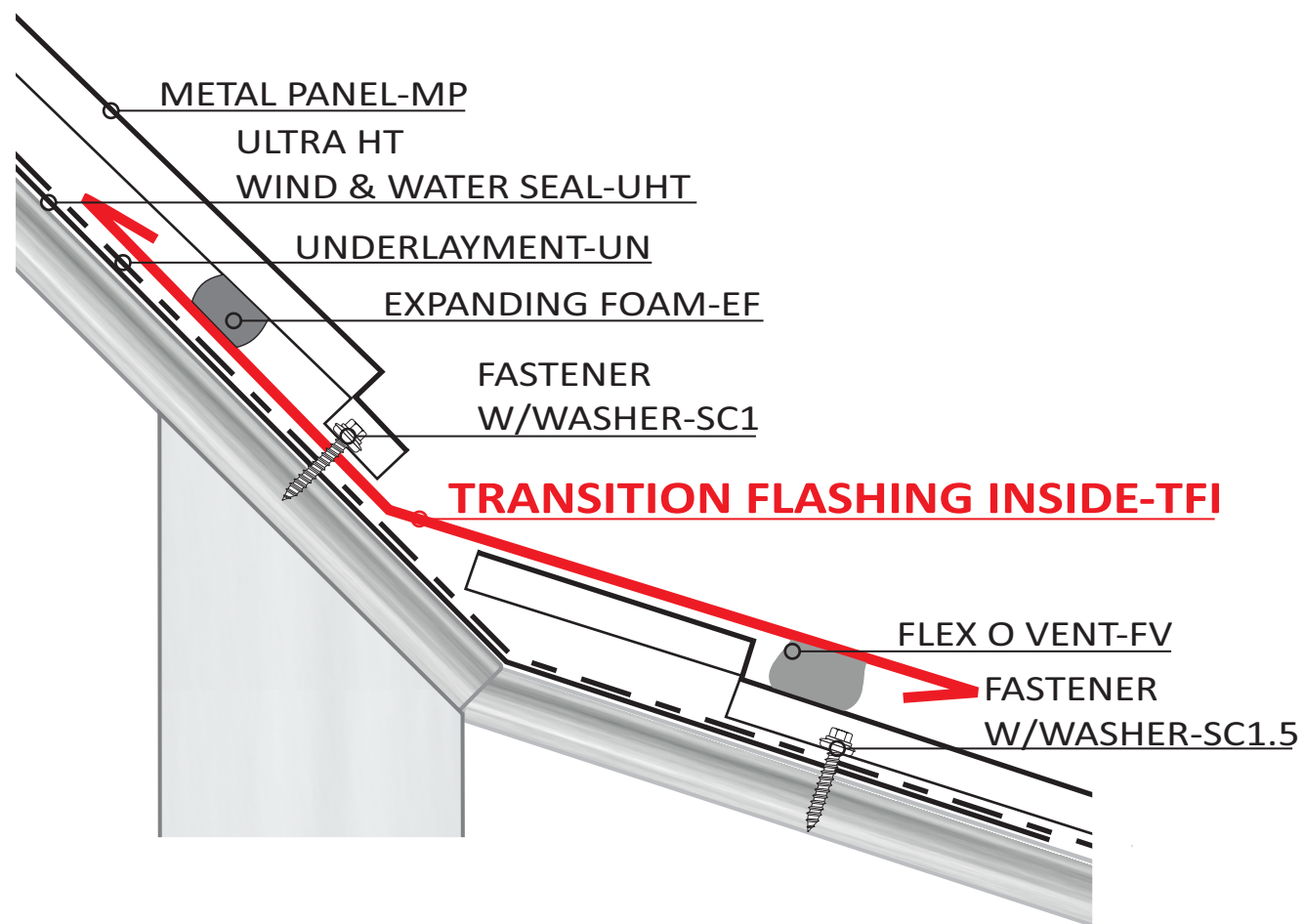


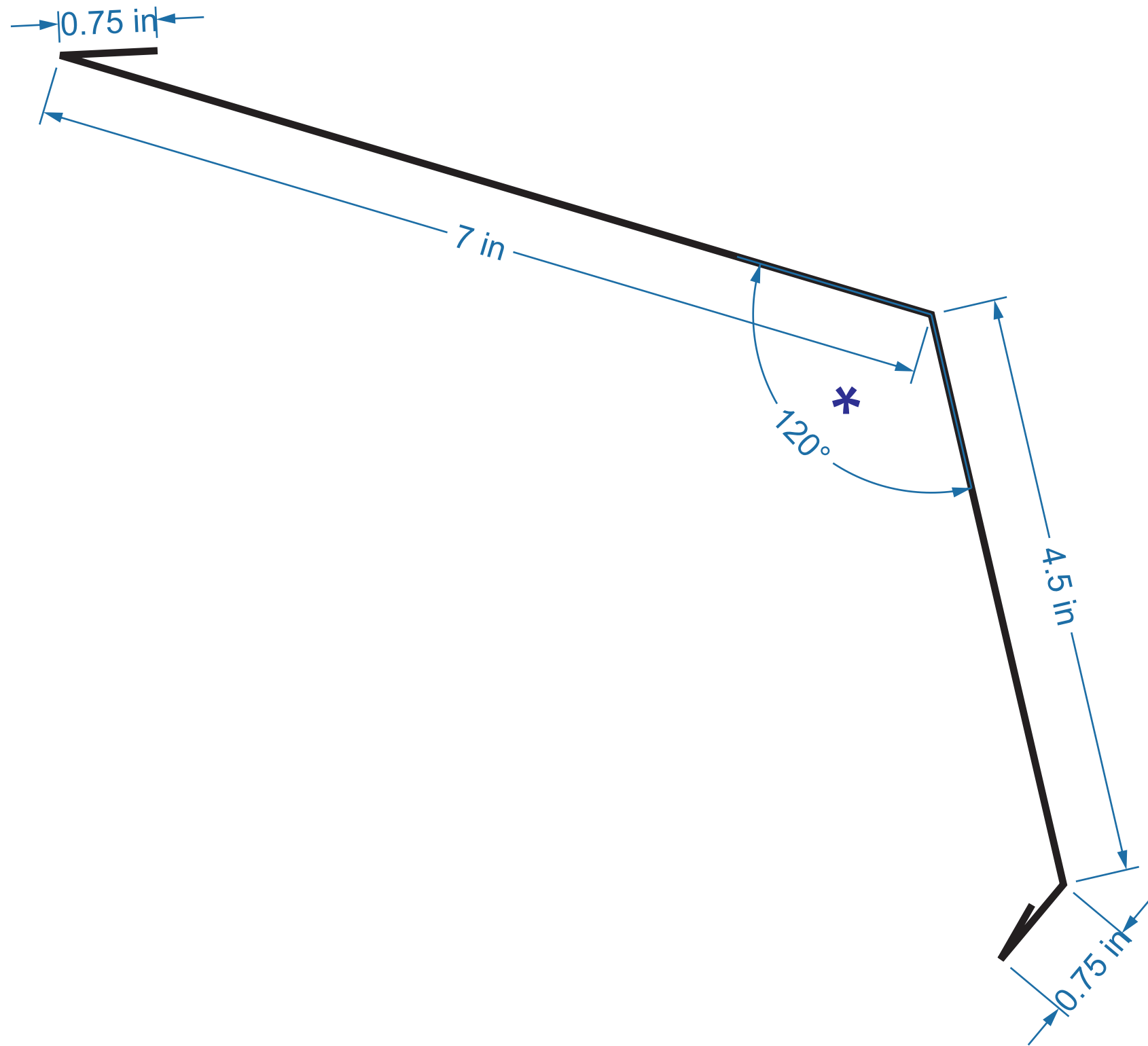
GABLE OUTSIDE

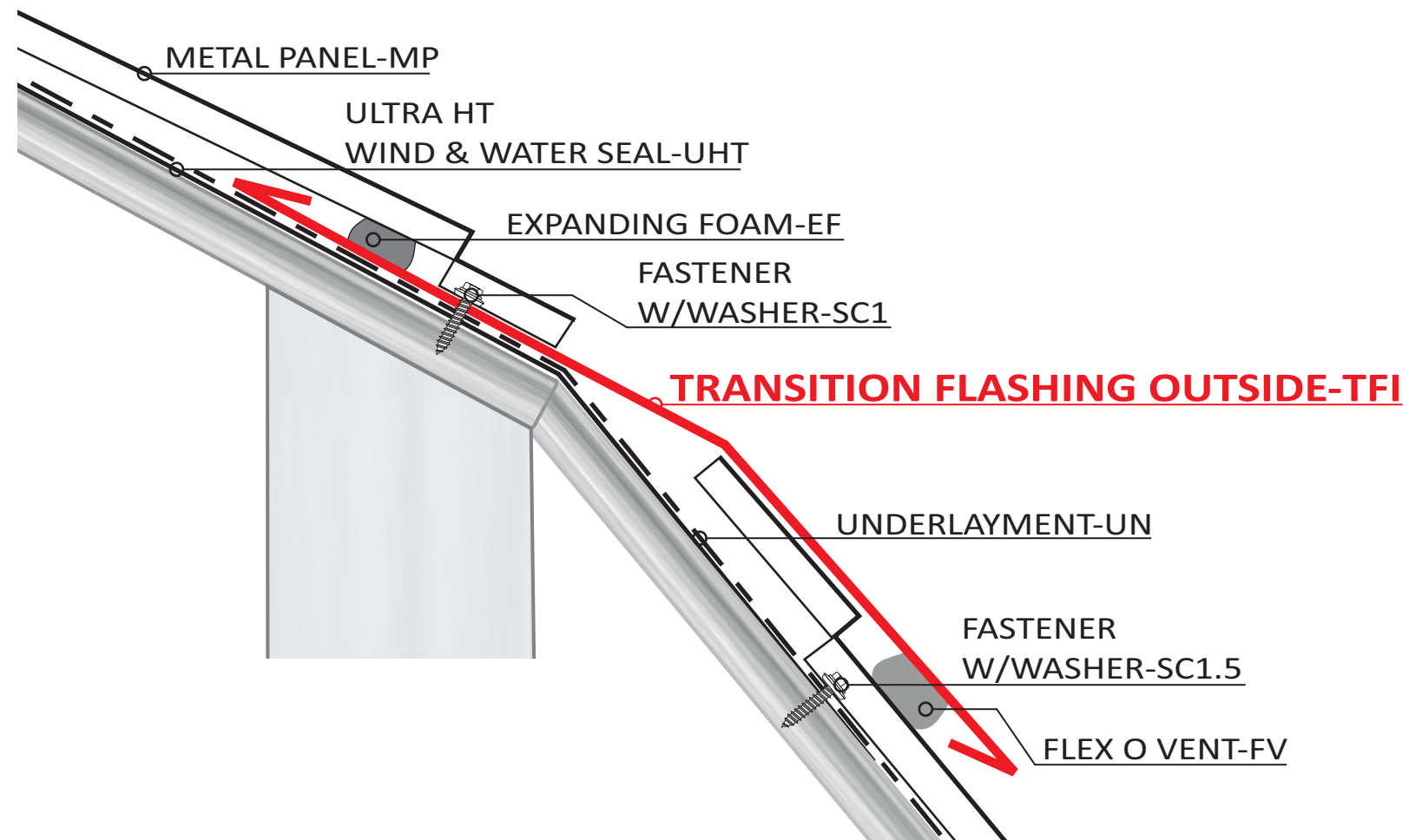
GABLE FLASHING OUTSIDE-GFO

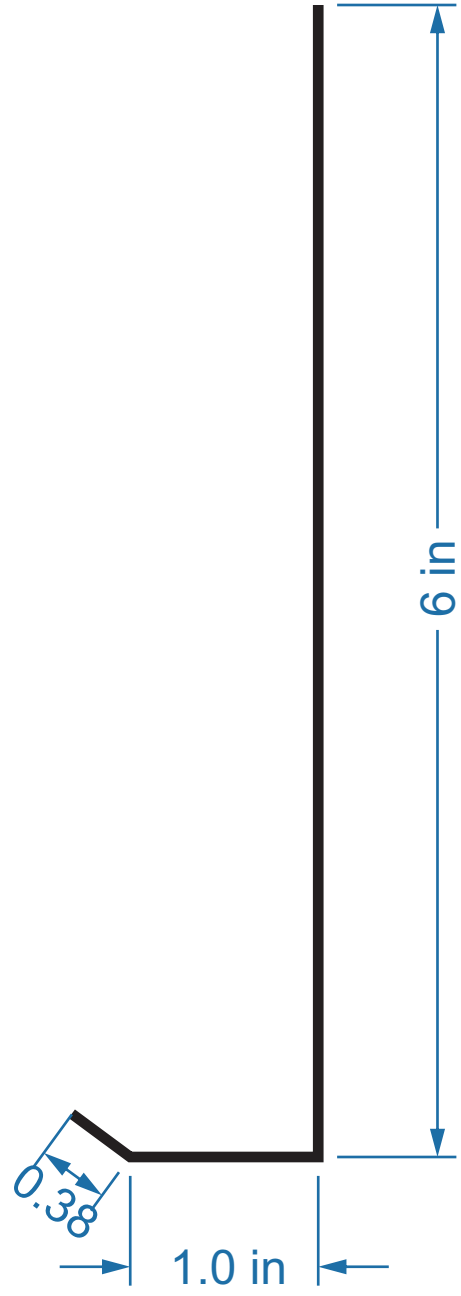


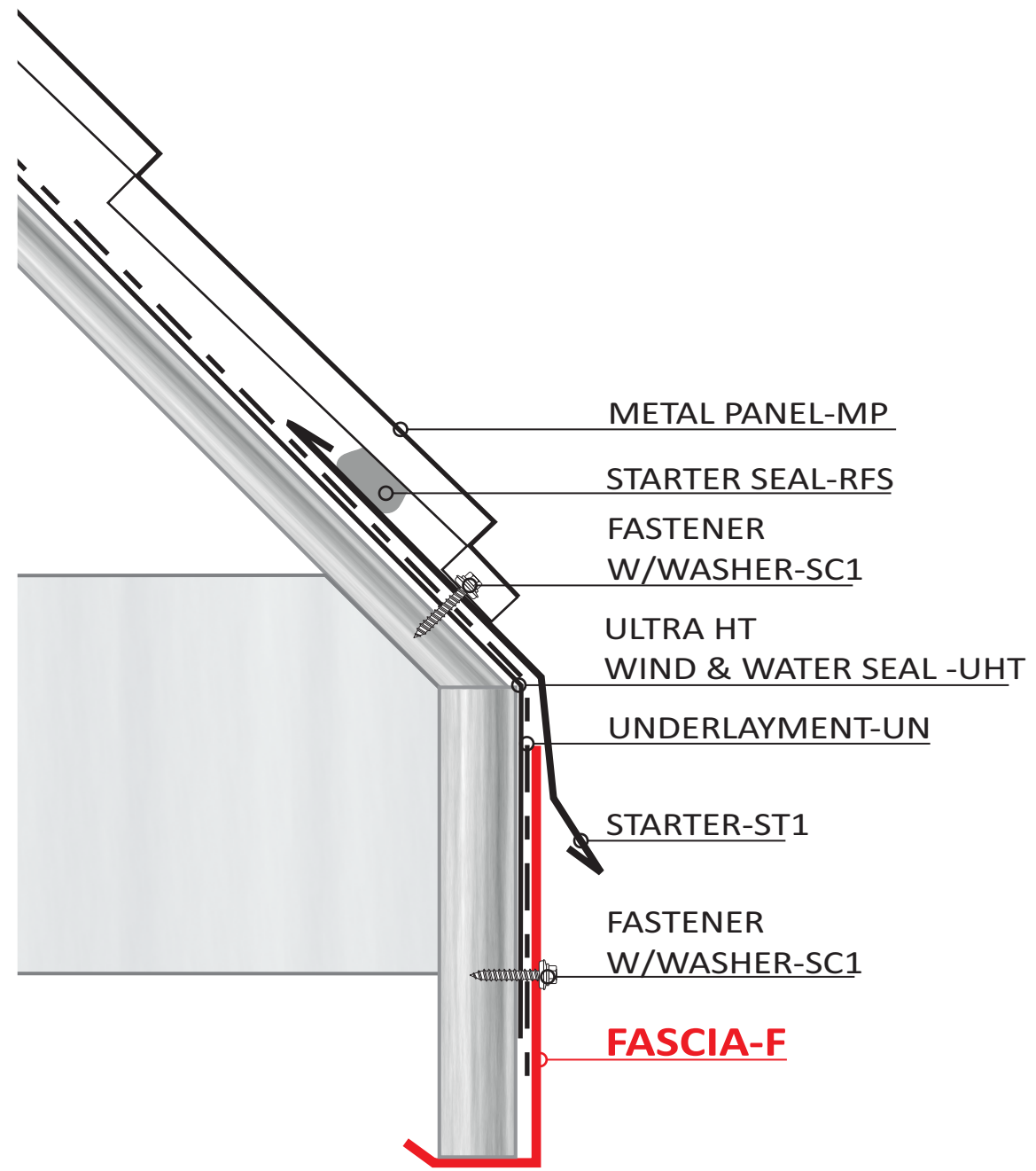












METAL PANEL-MP

STARTER SEAL-RFS

FASTENER
W/WASHER-SC1

ULTRA HT
WIND & WATER SEAL -UHT

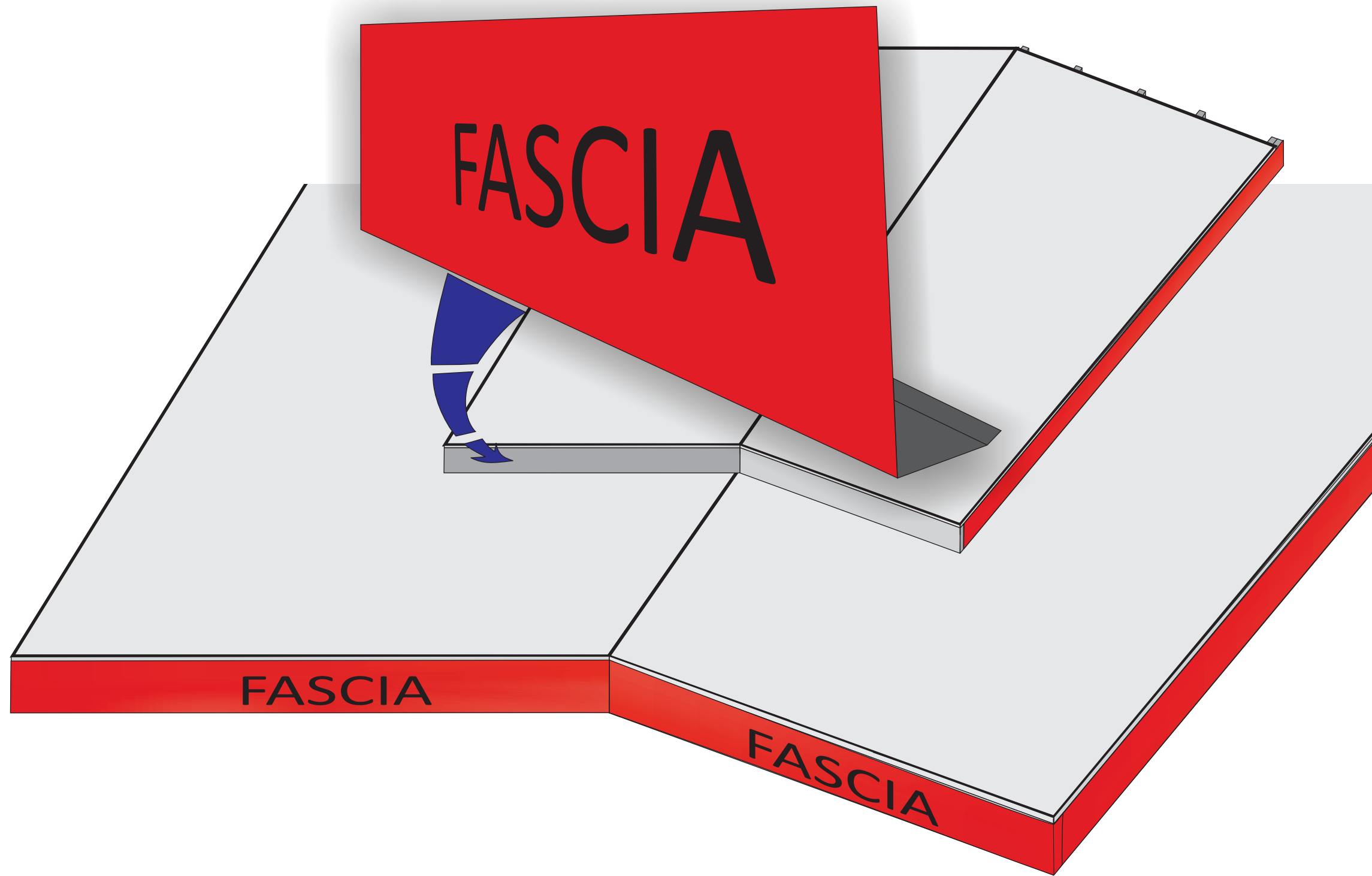
UNDERLAYMENT-UN

STARTER-ST1

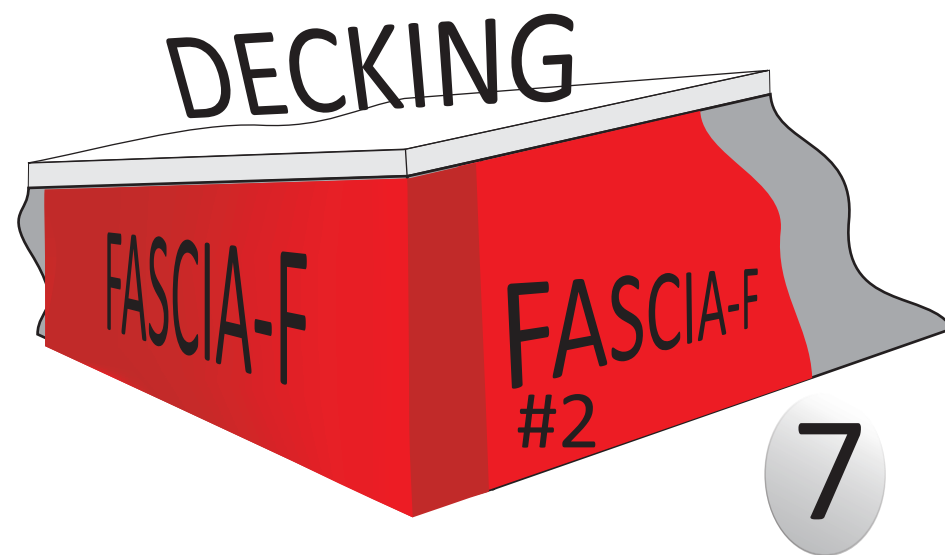
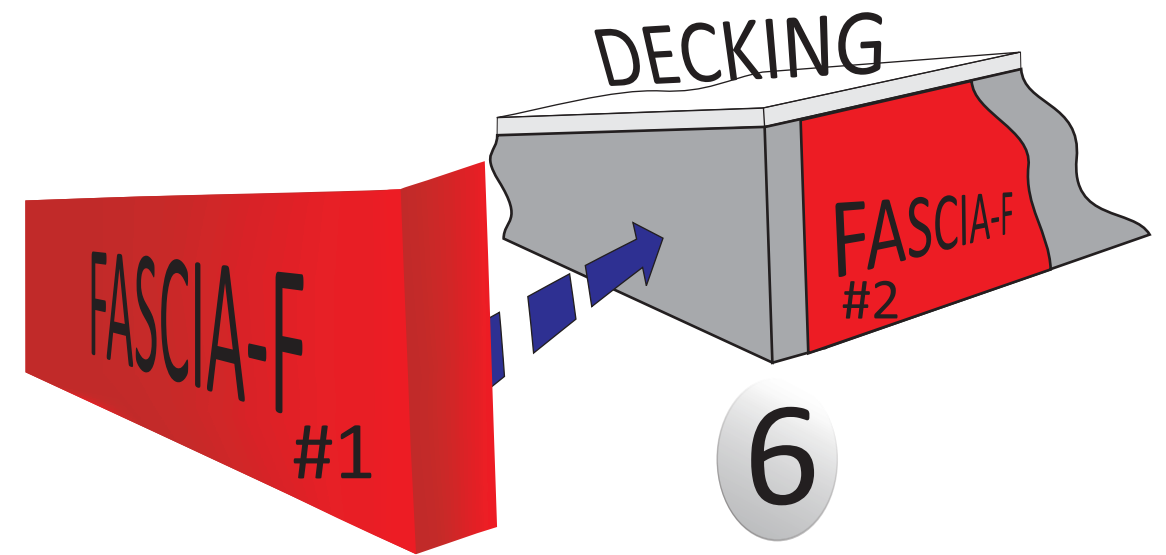
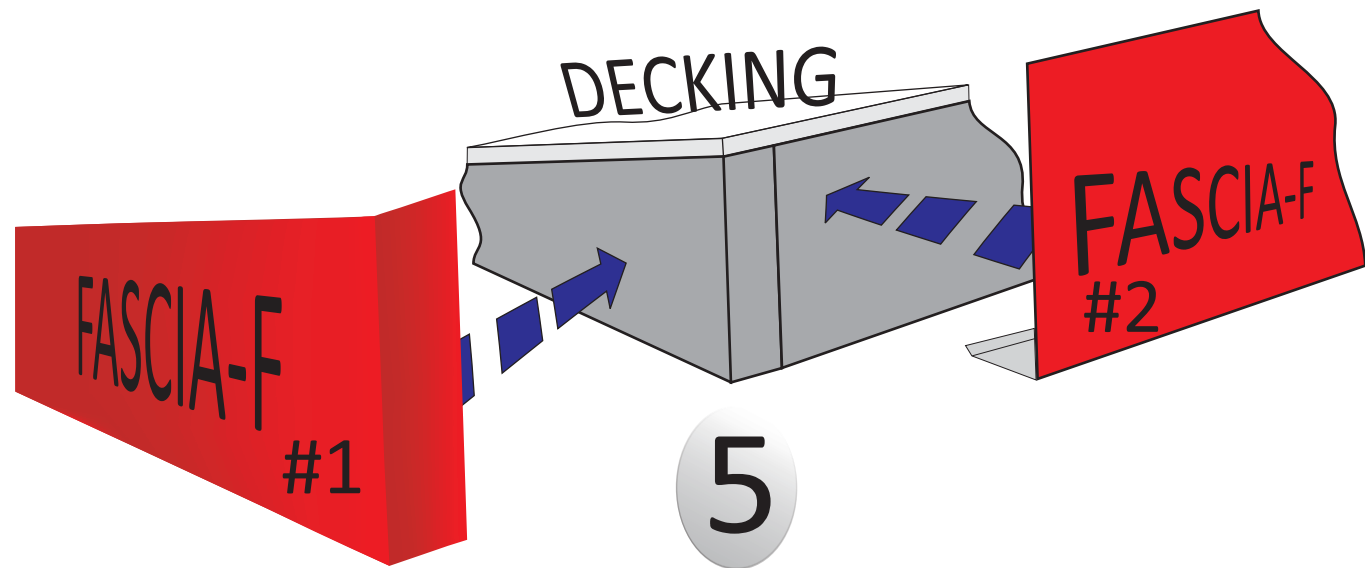
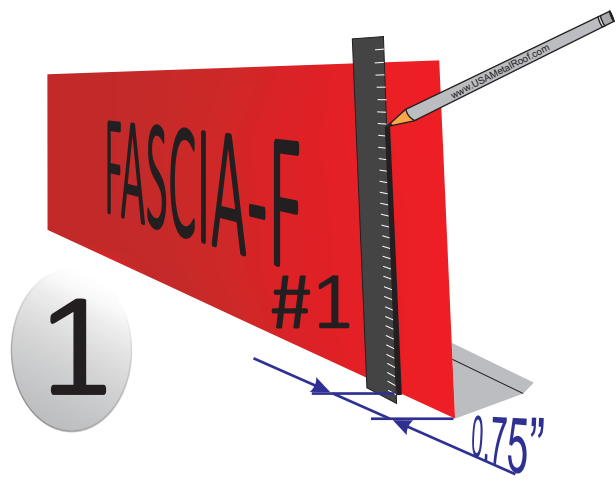
FASTENER
W/WASHER-SC1

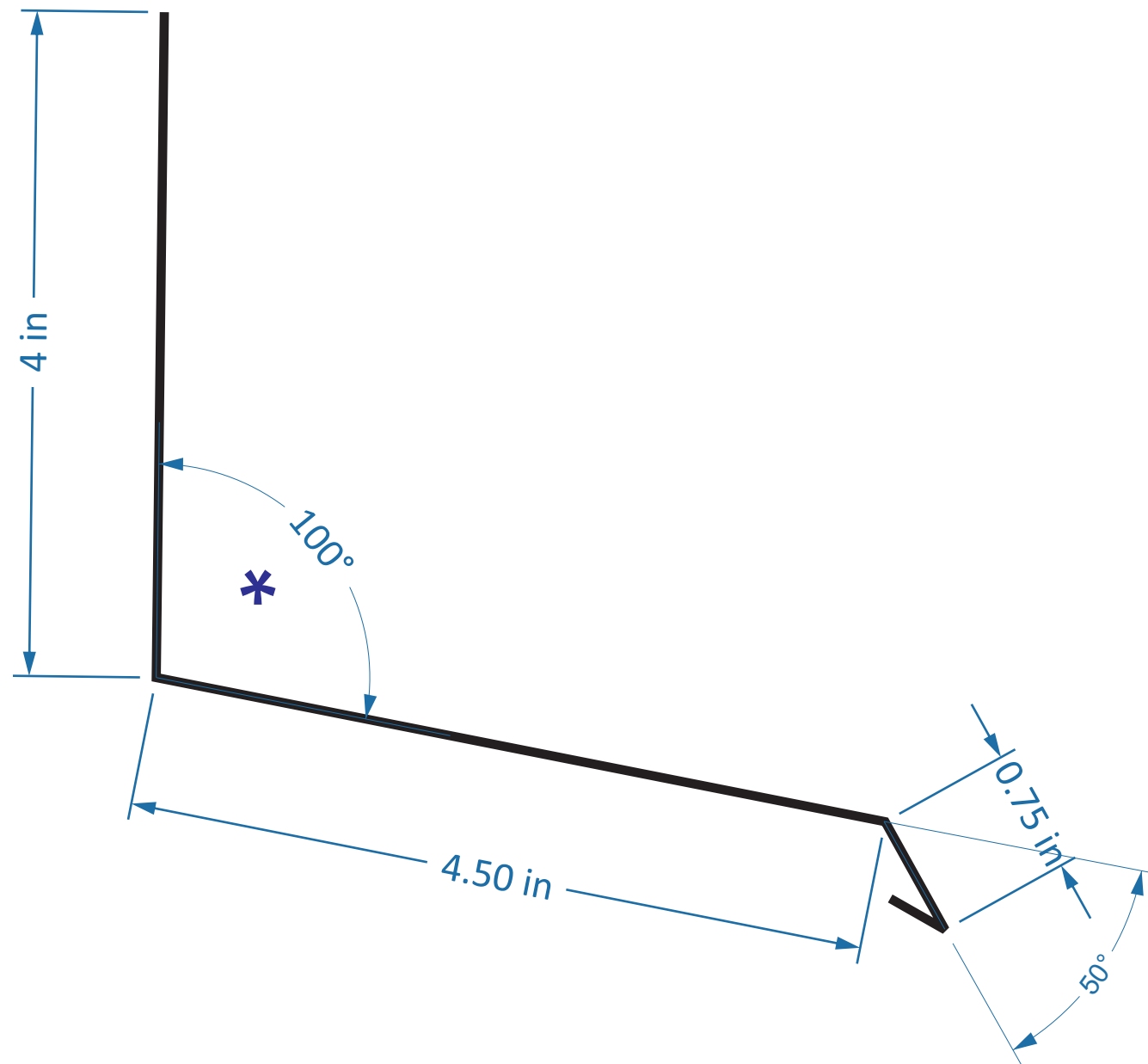
FASCIA-F

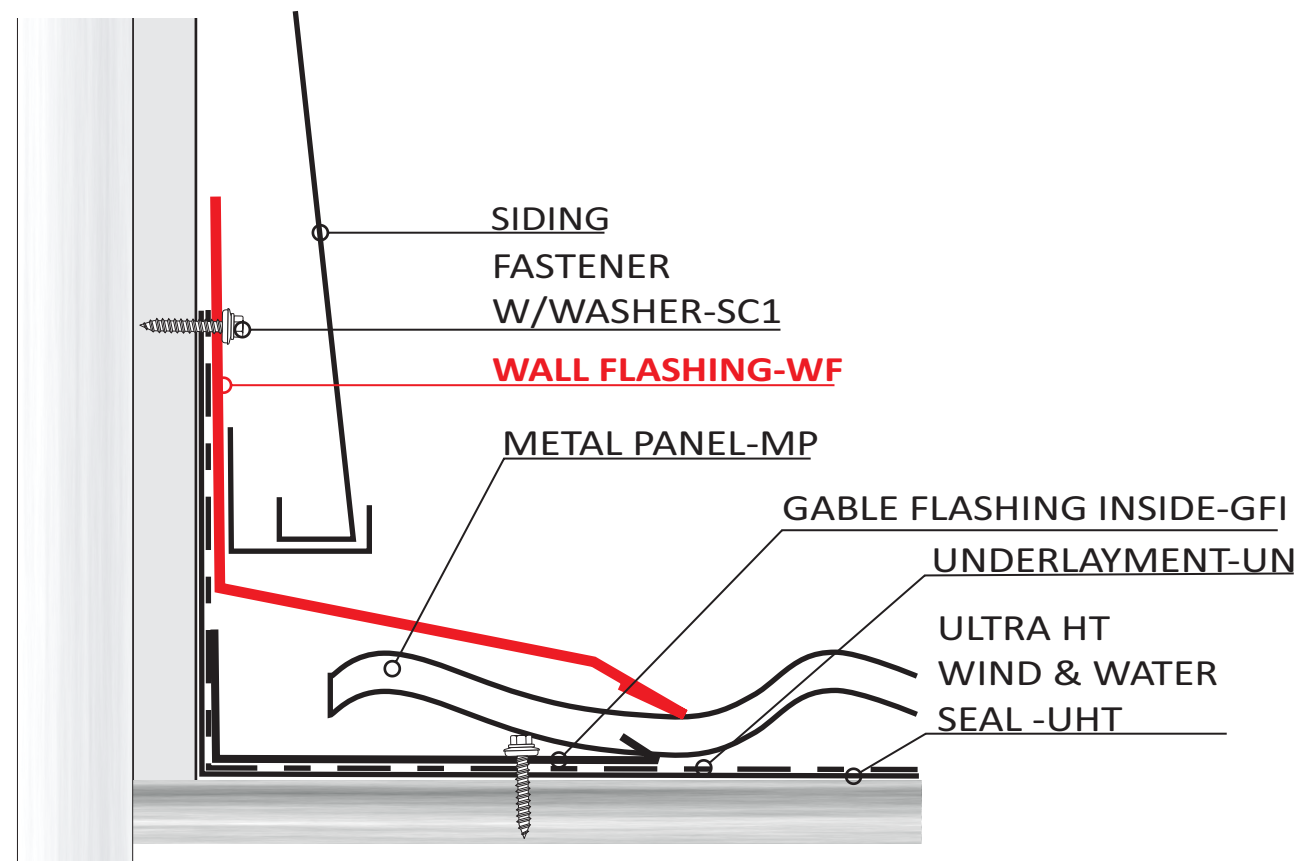
FASCIA-F

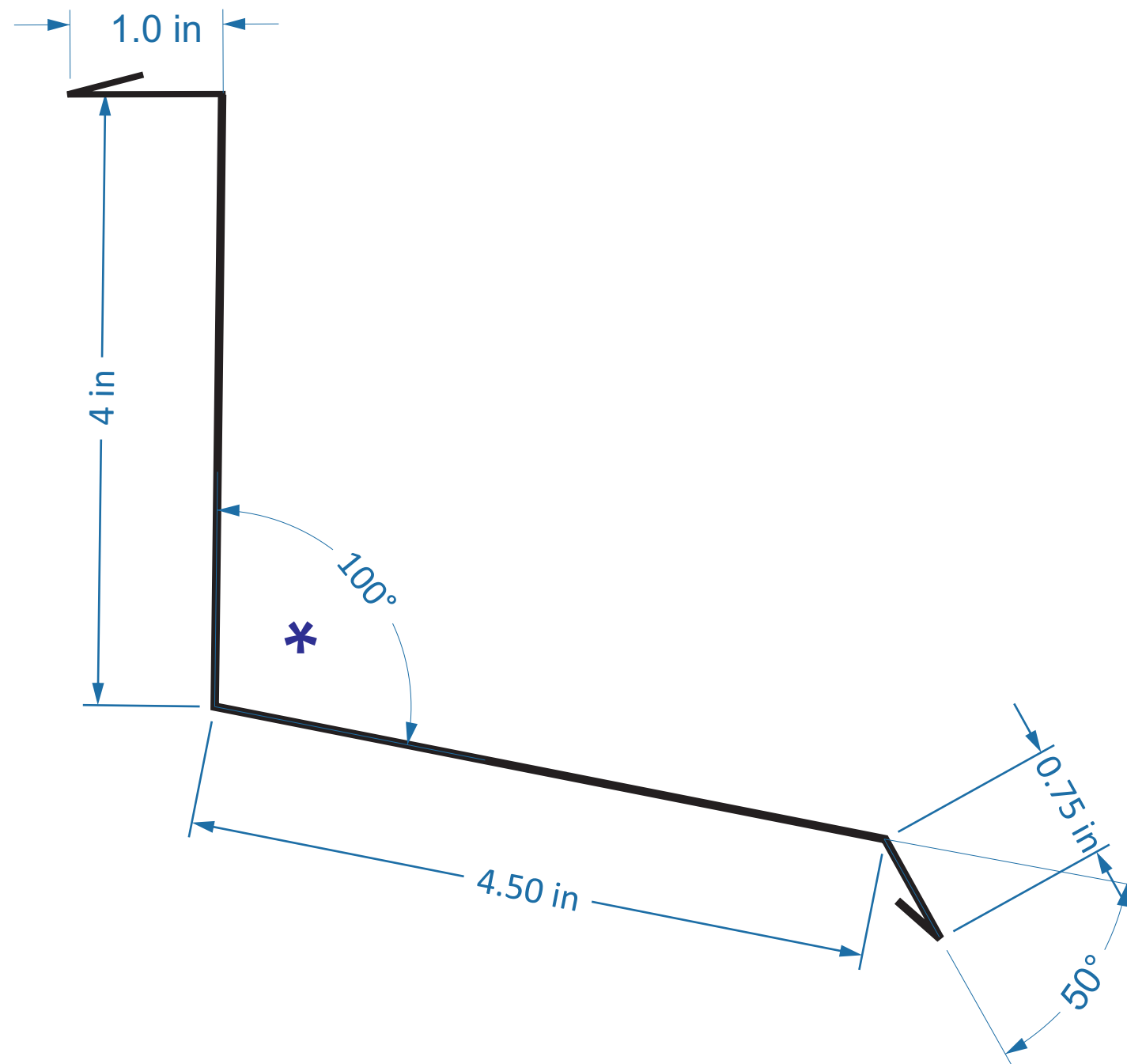


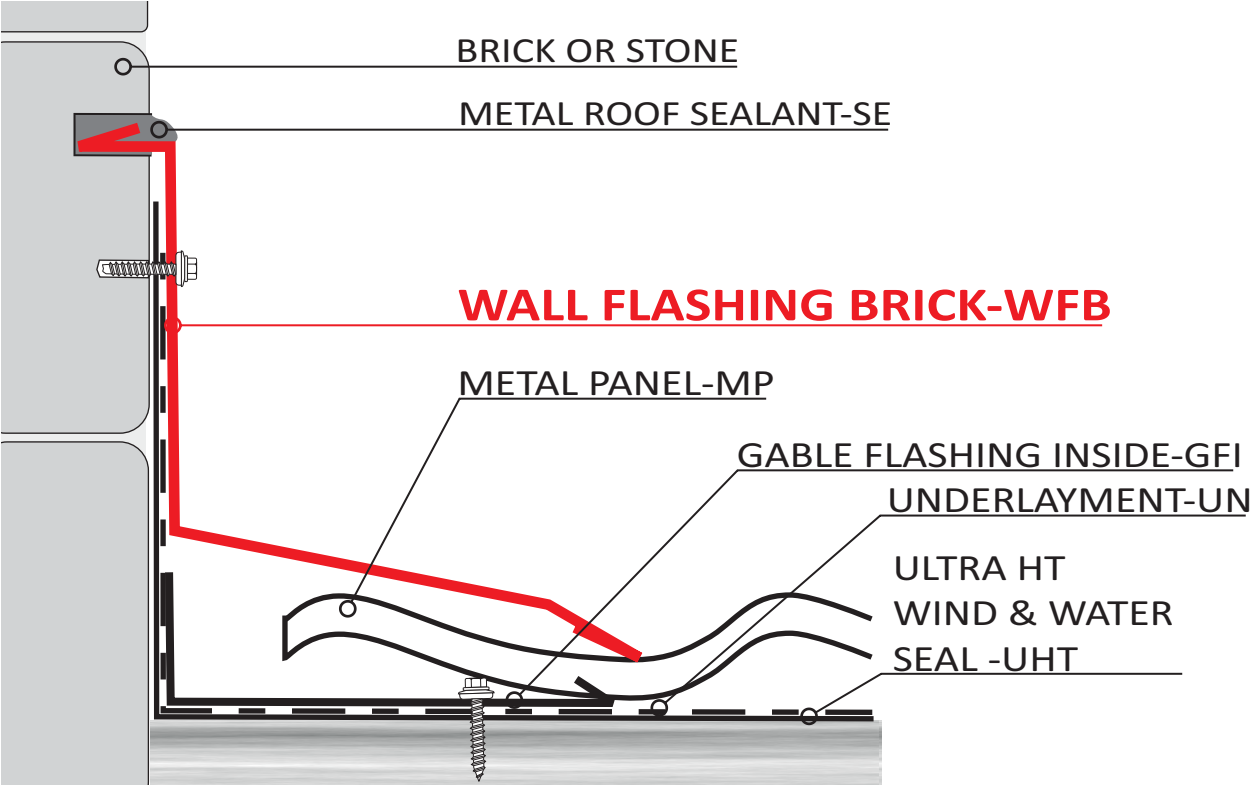
FASCIA-F

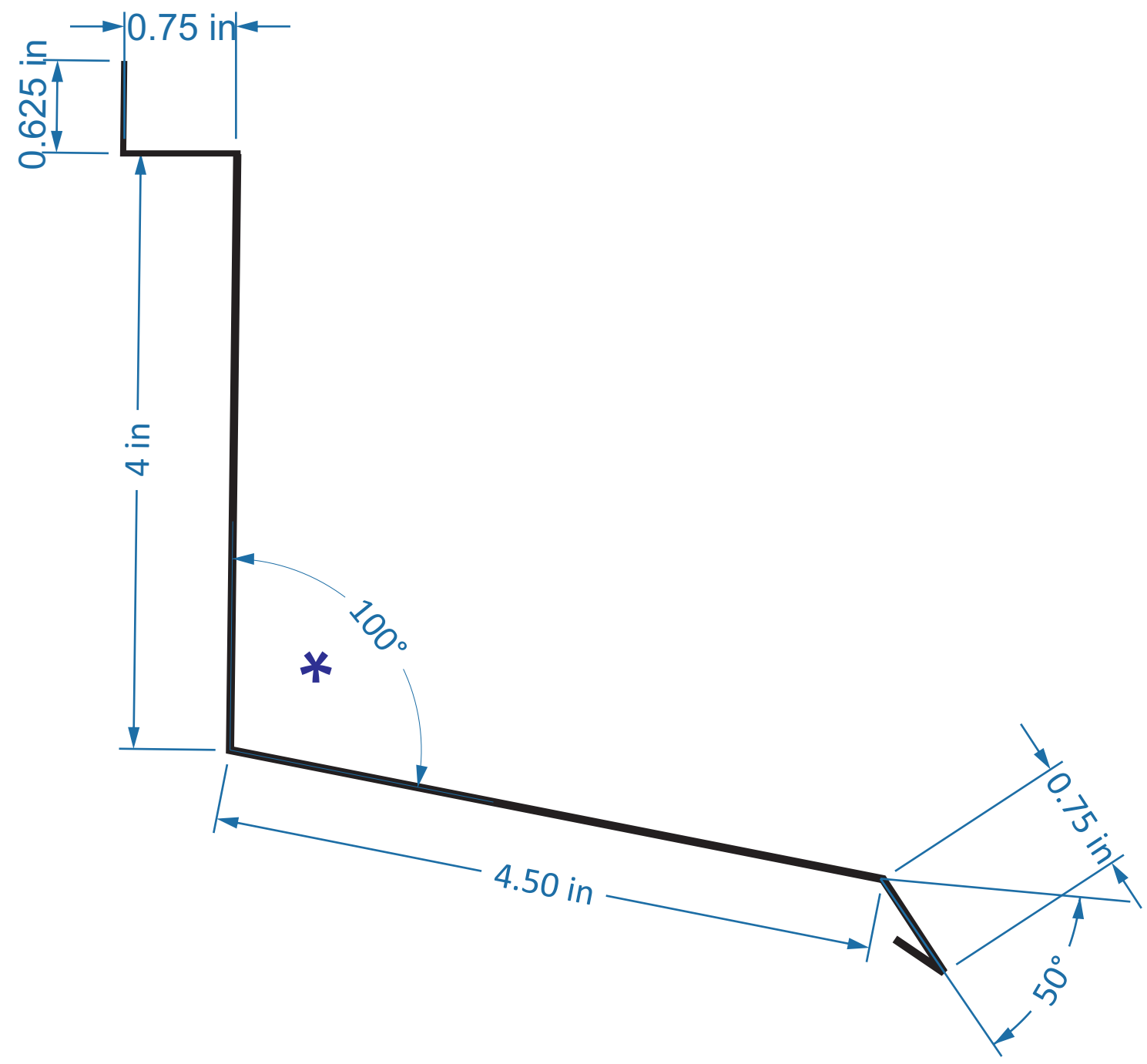


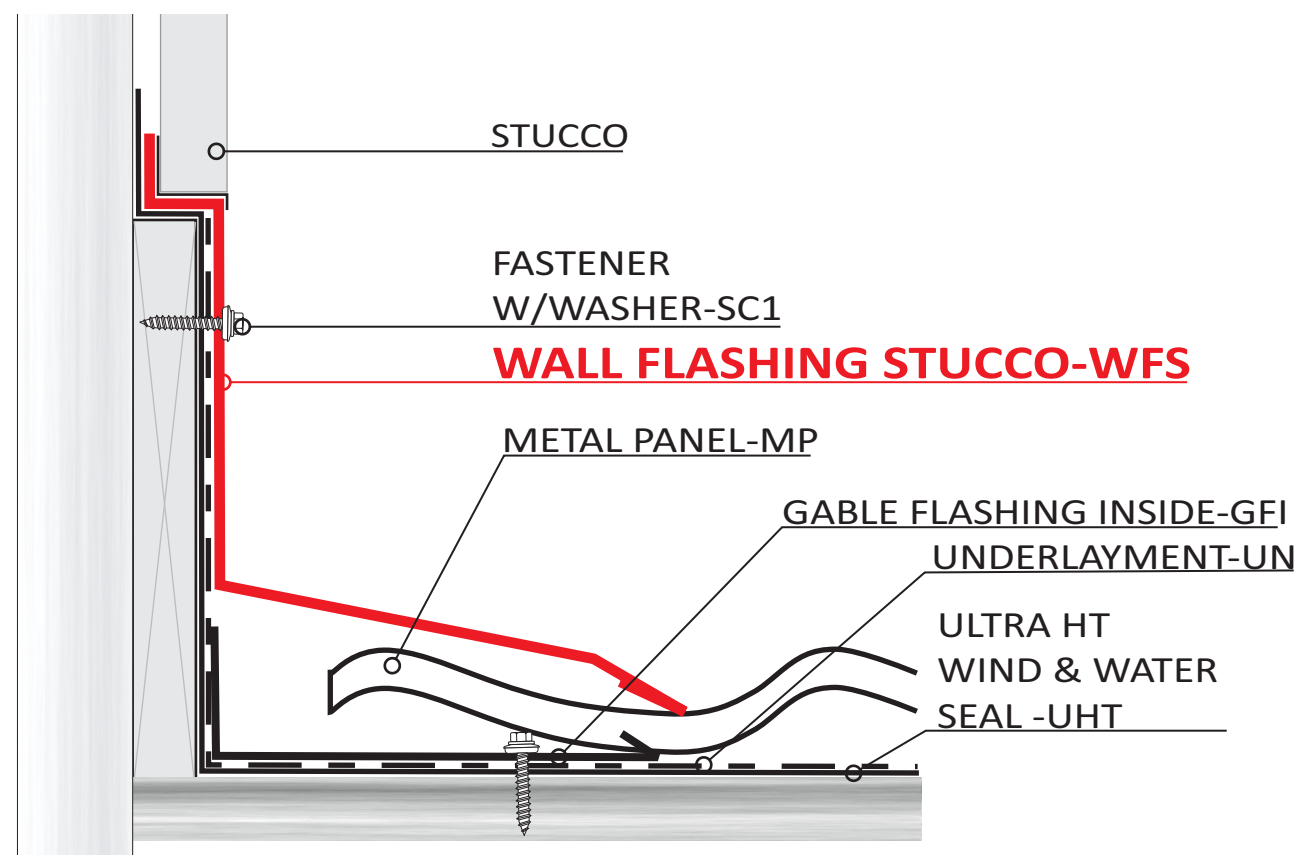


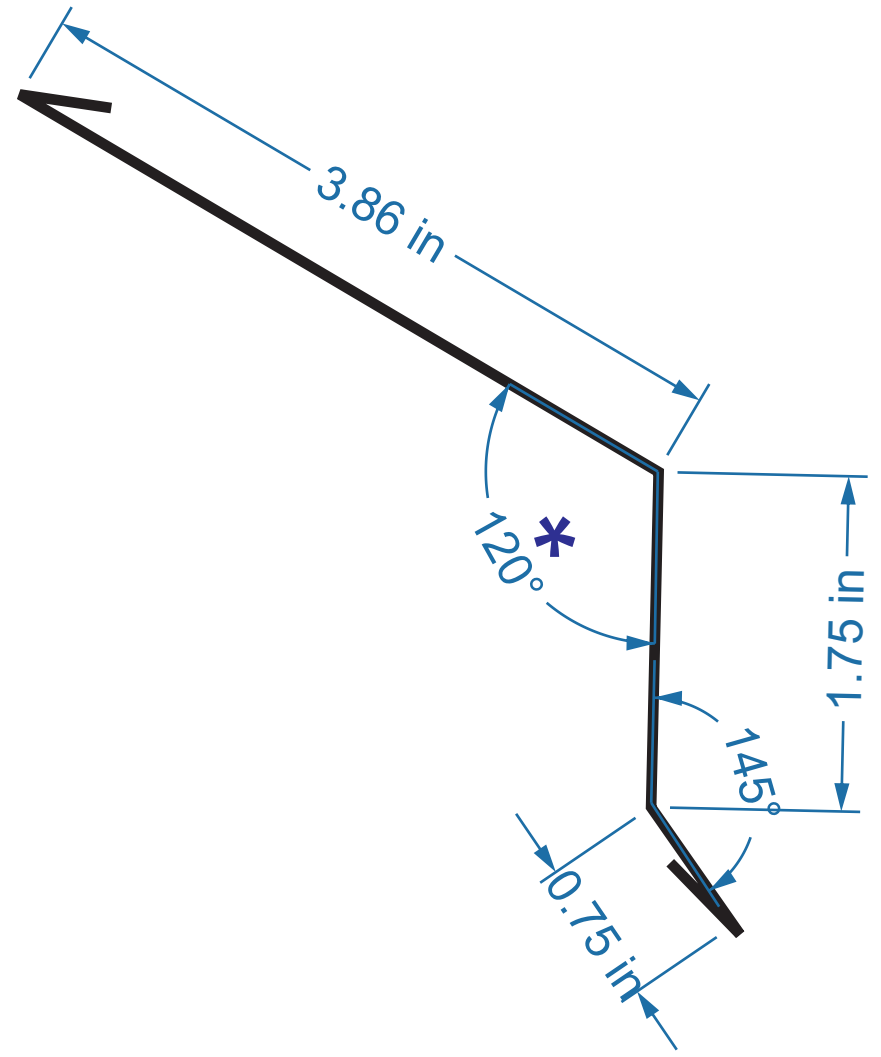


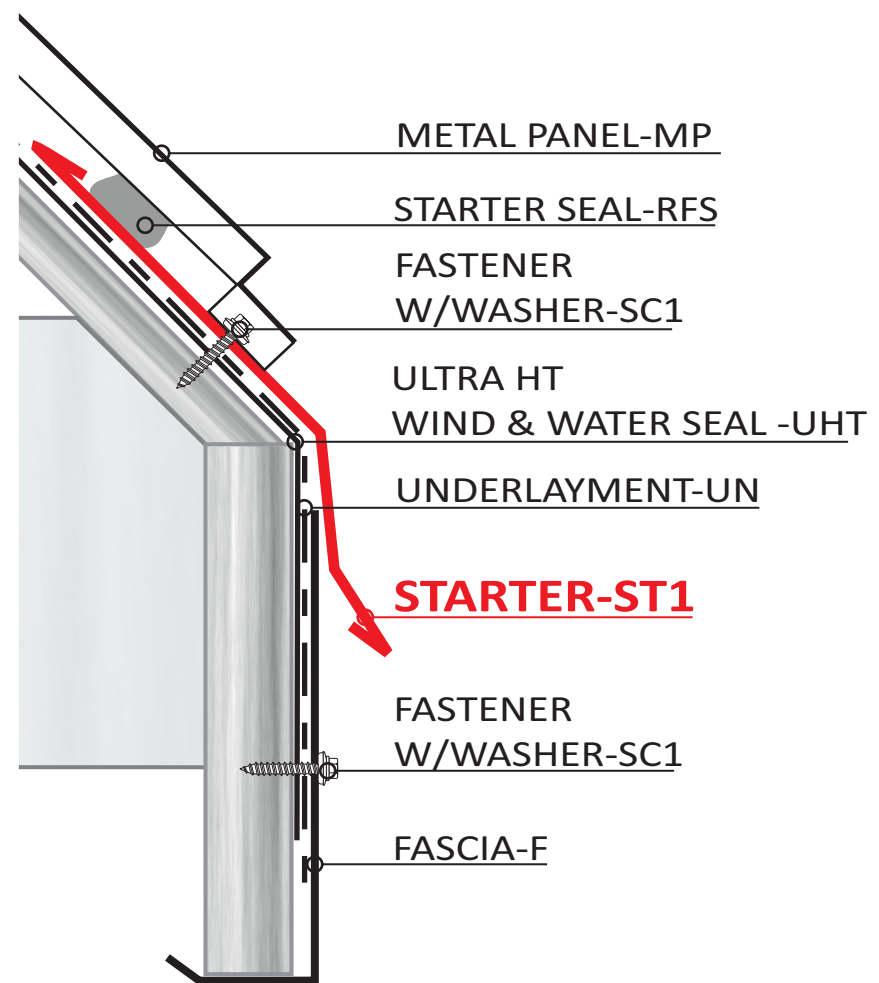


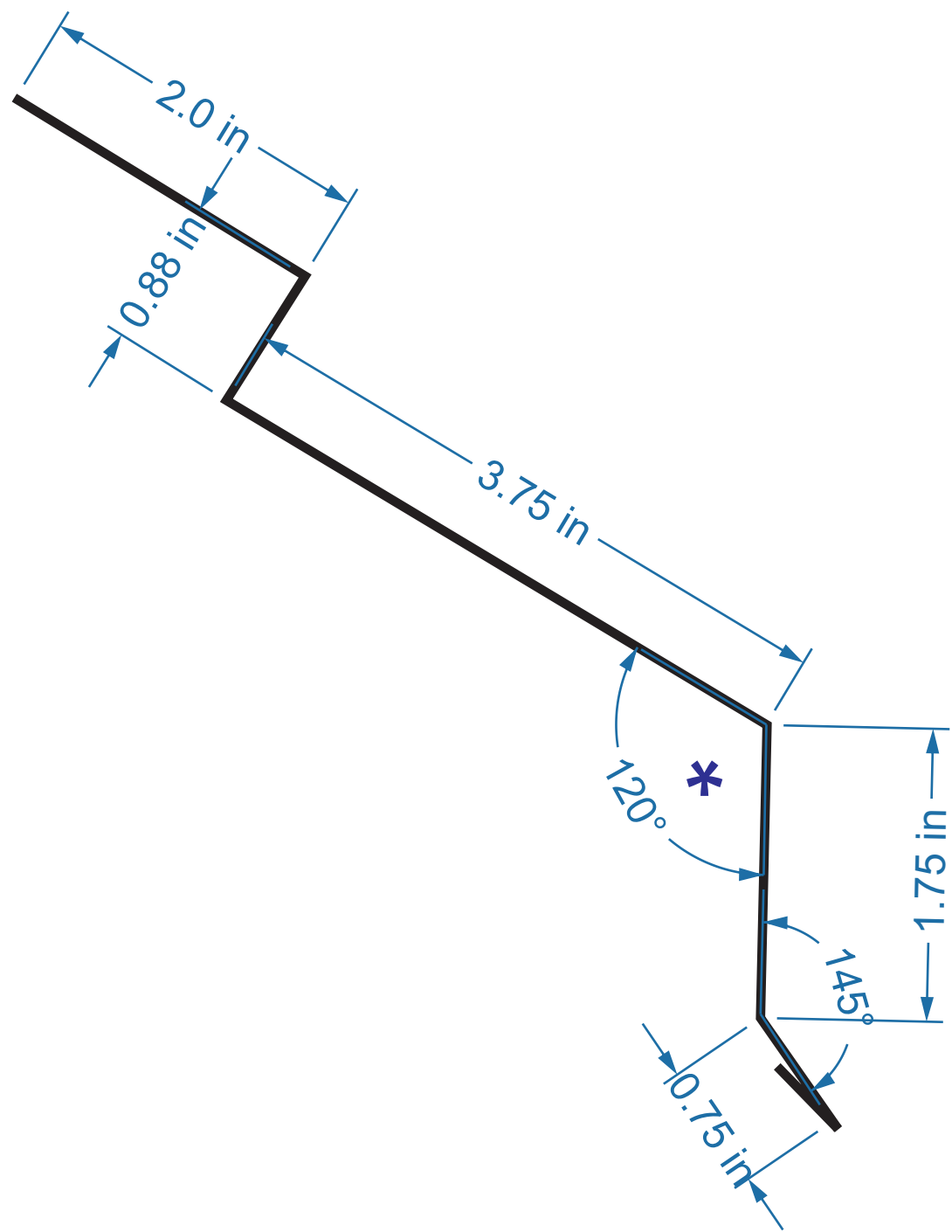


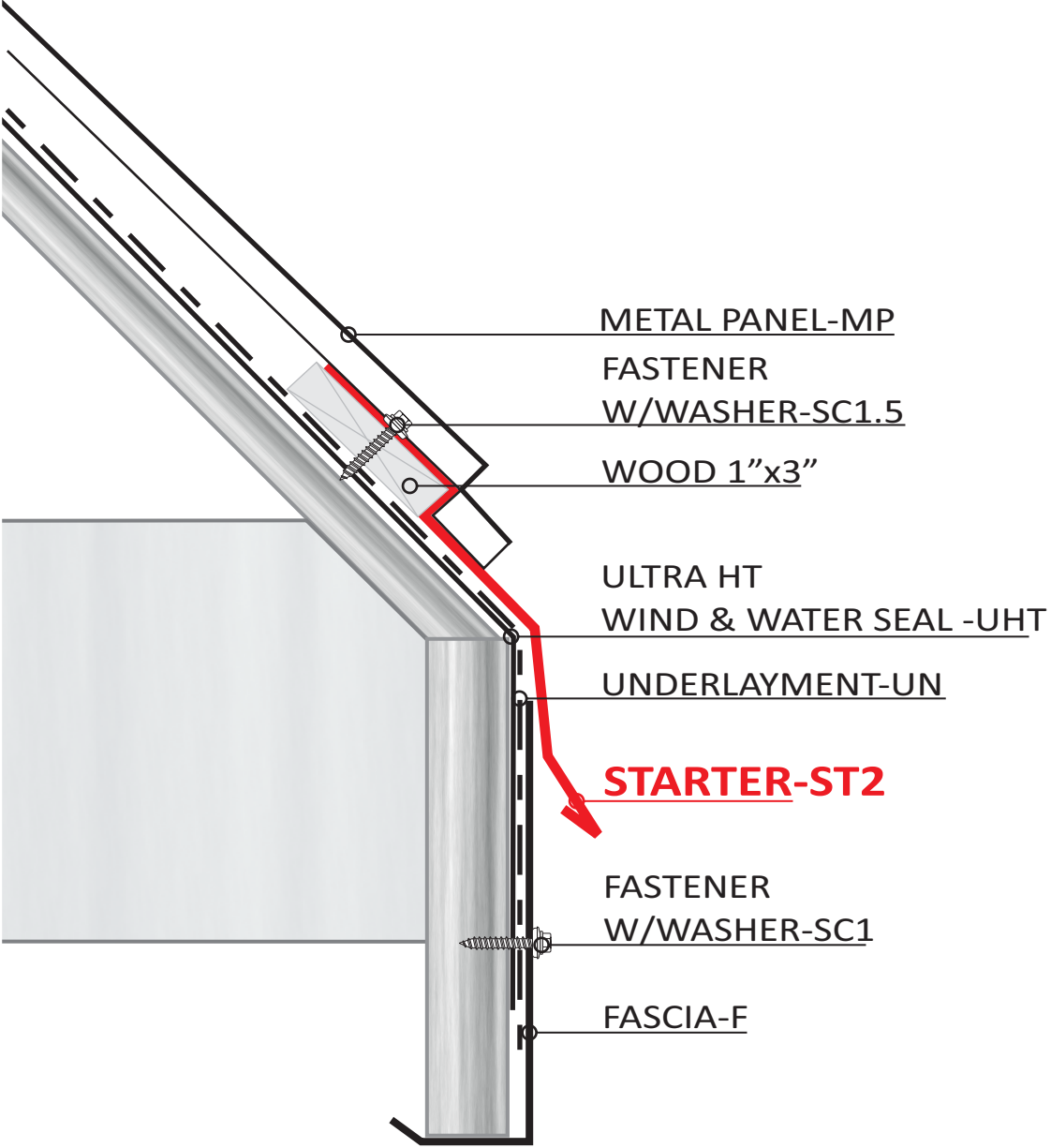


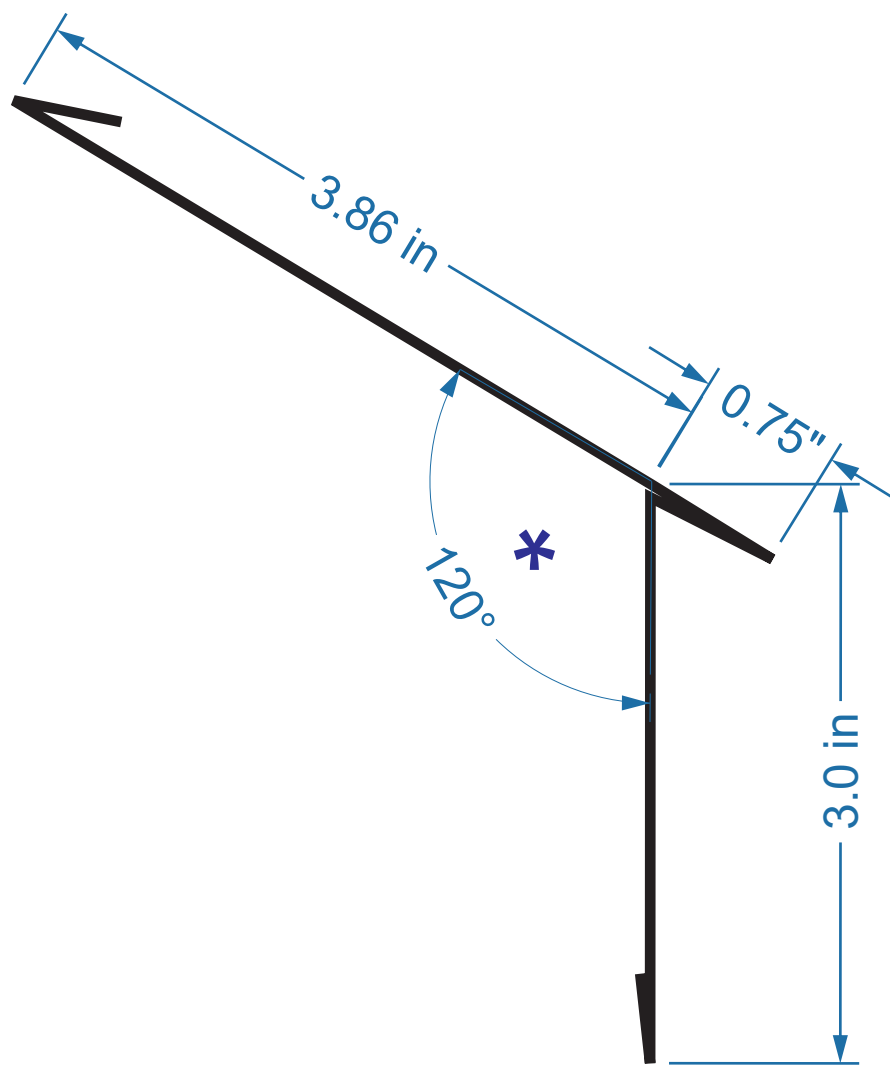


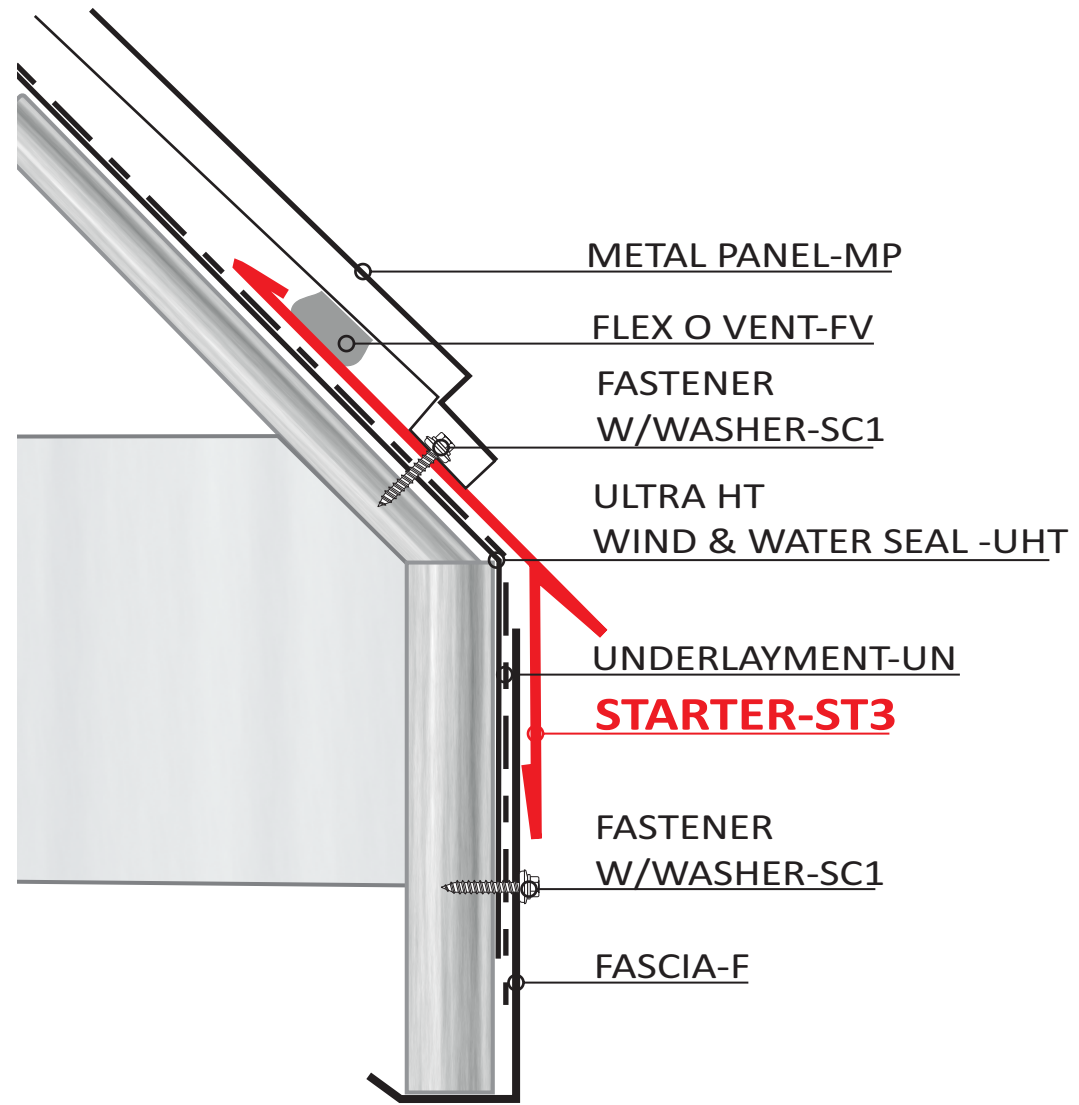


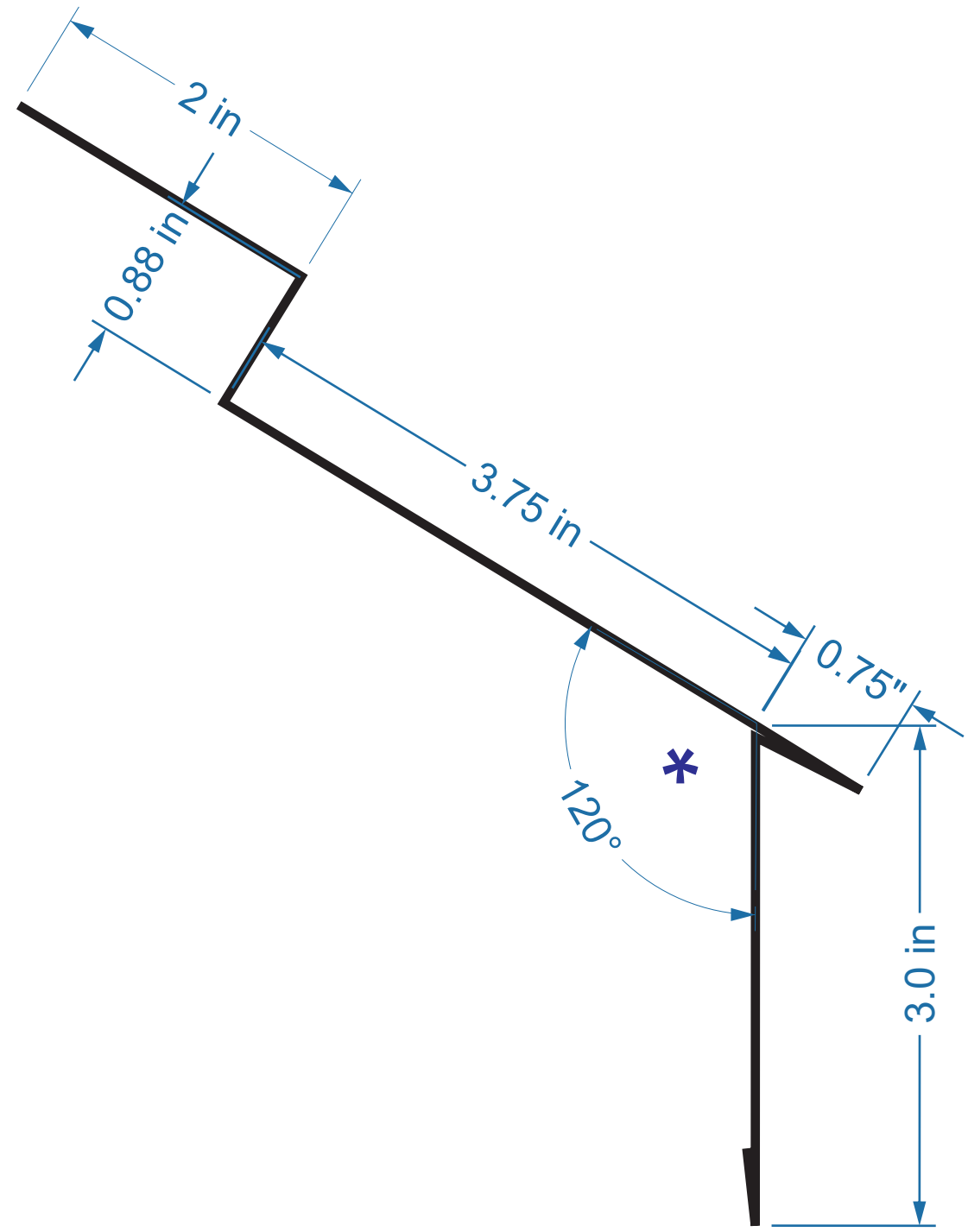


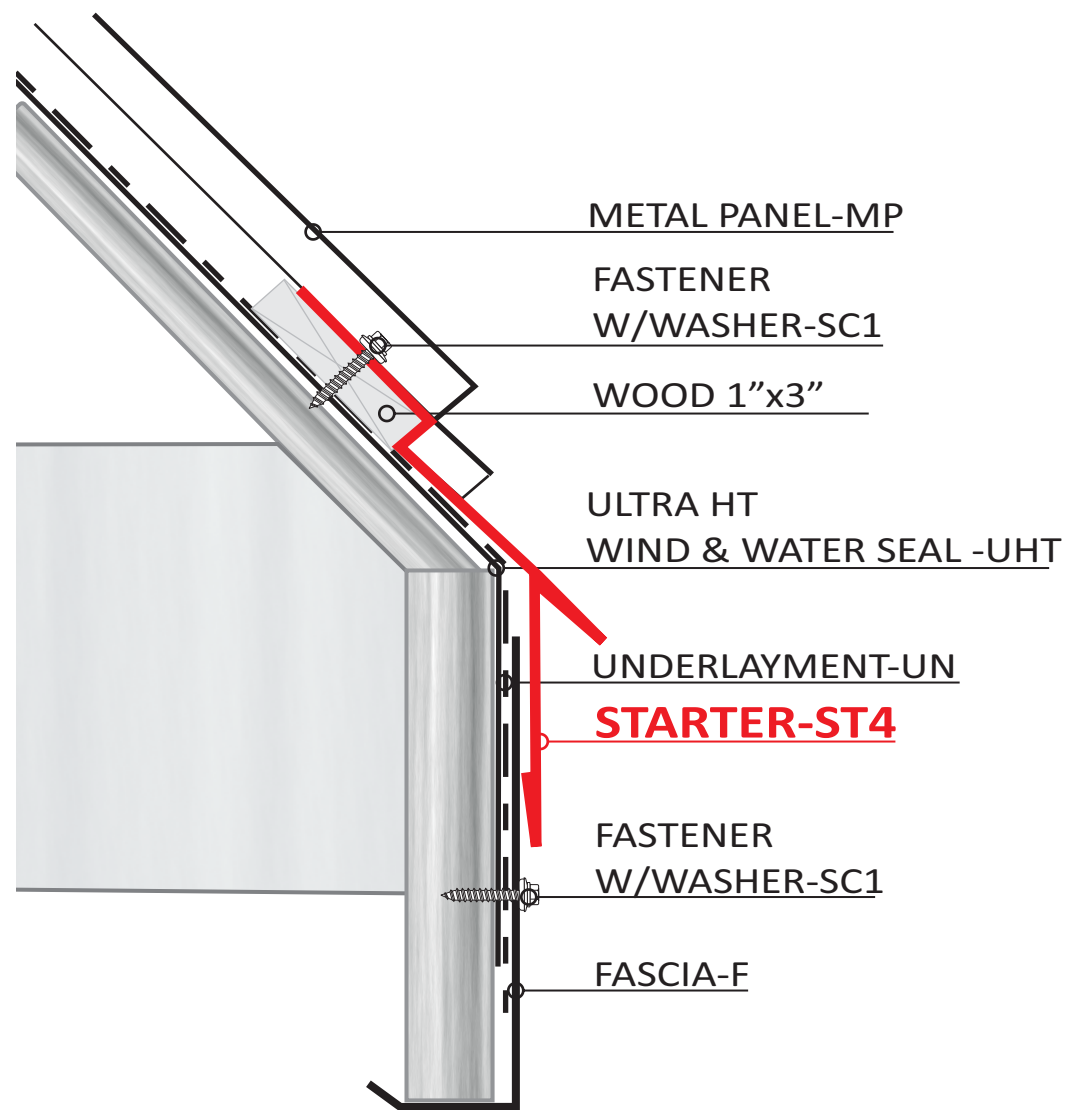


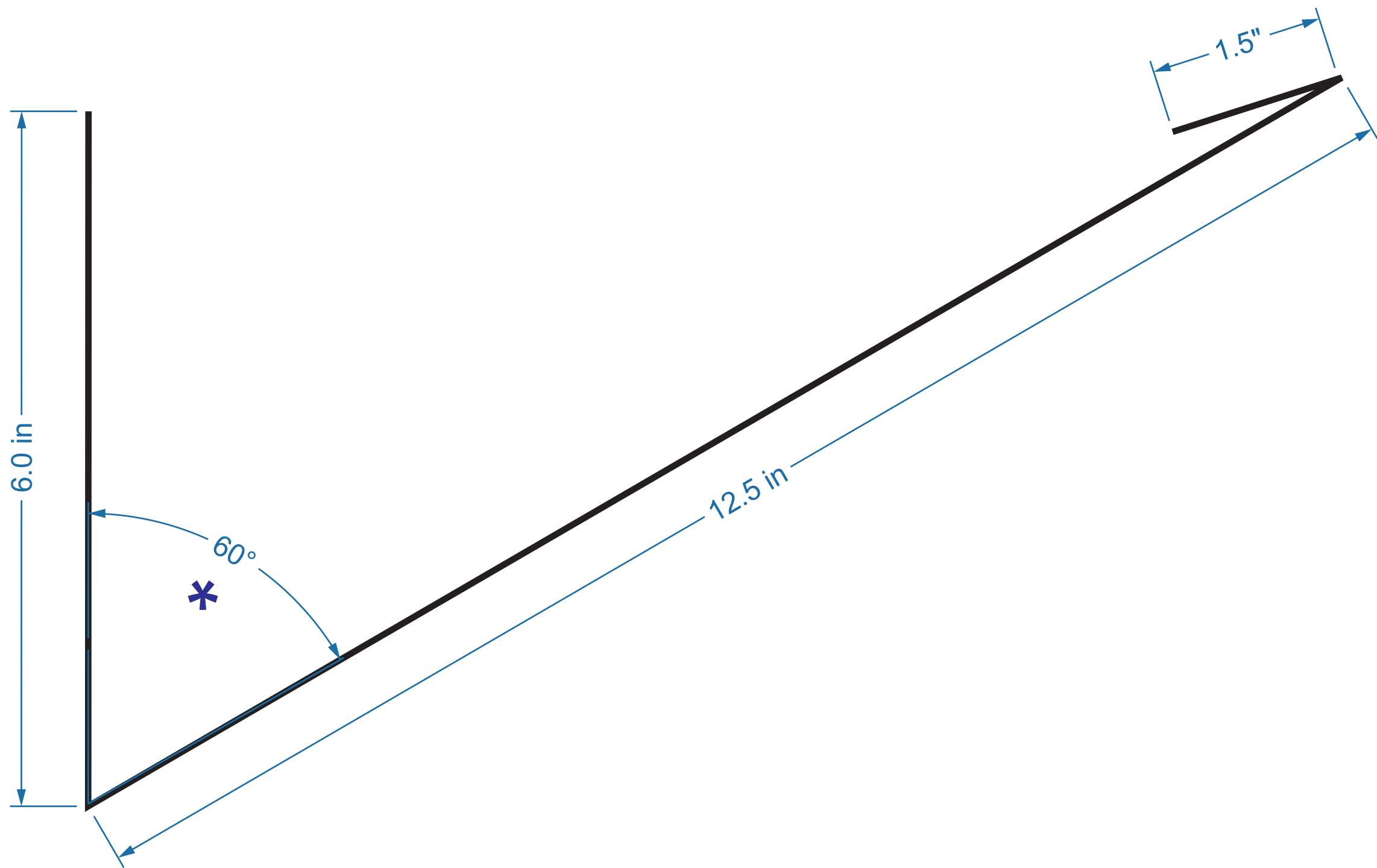


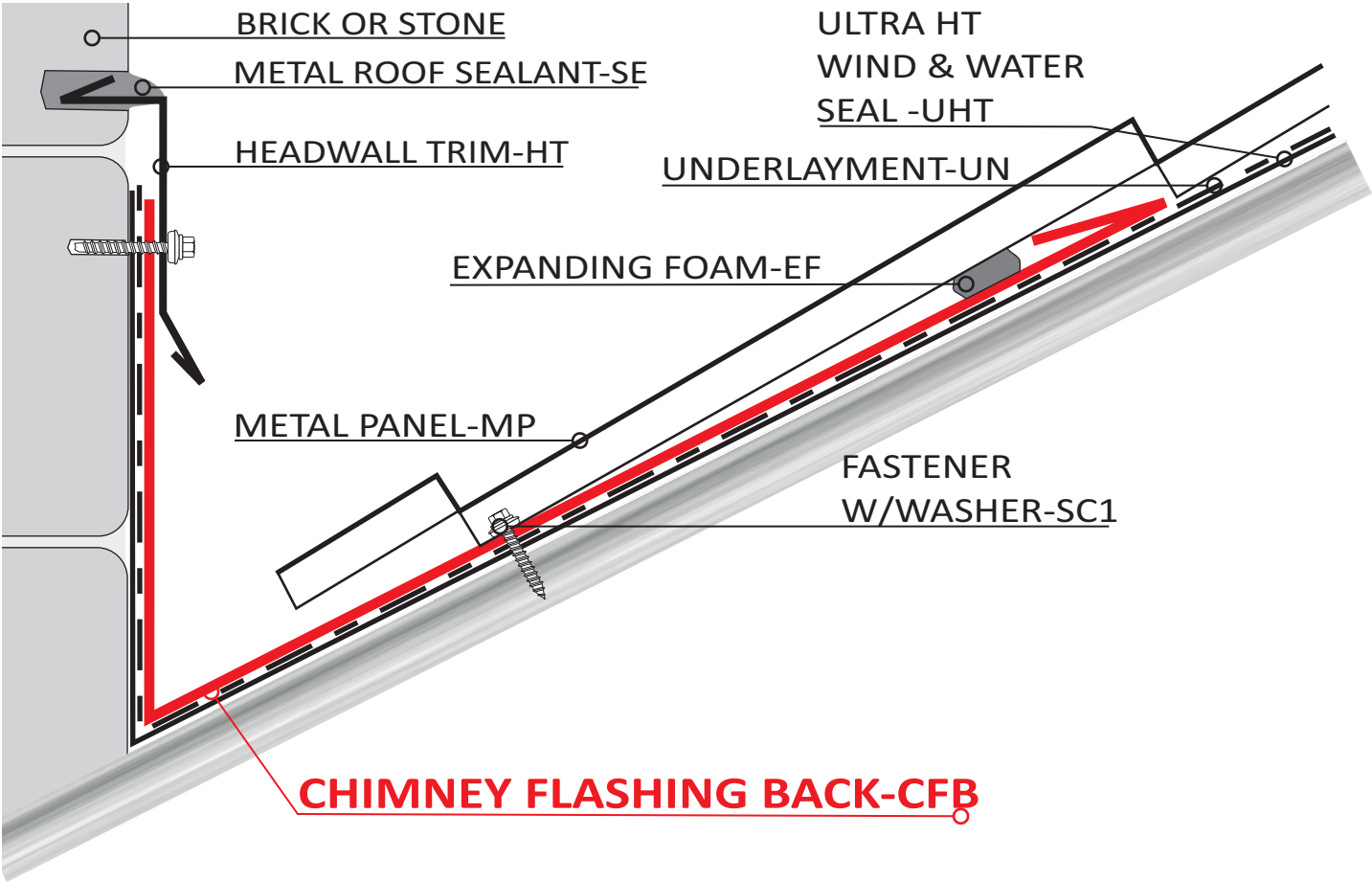


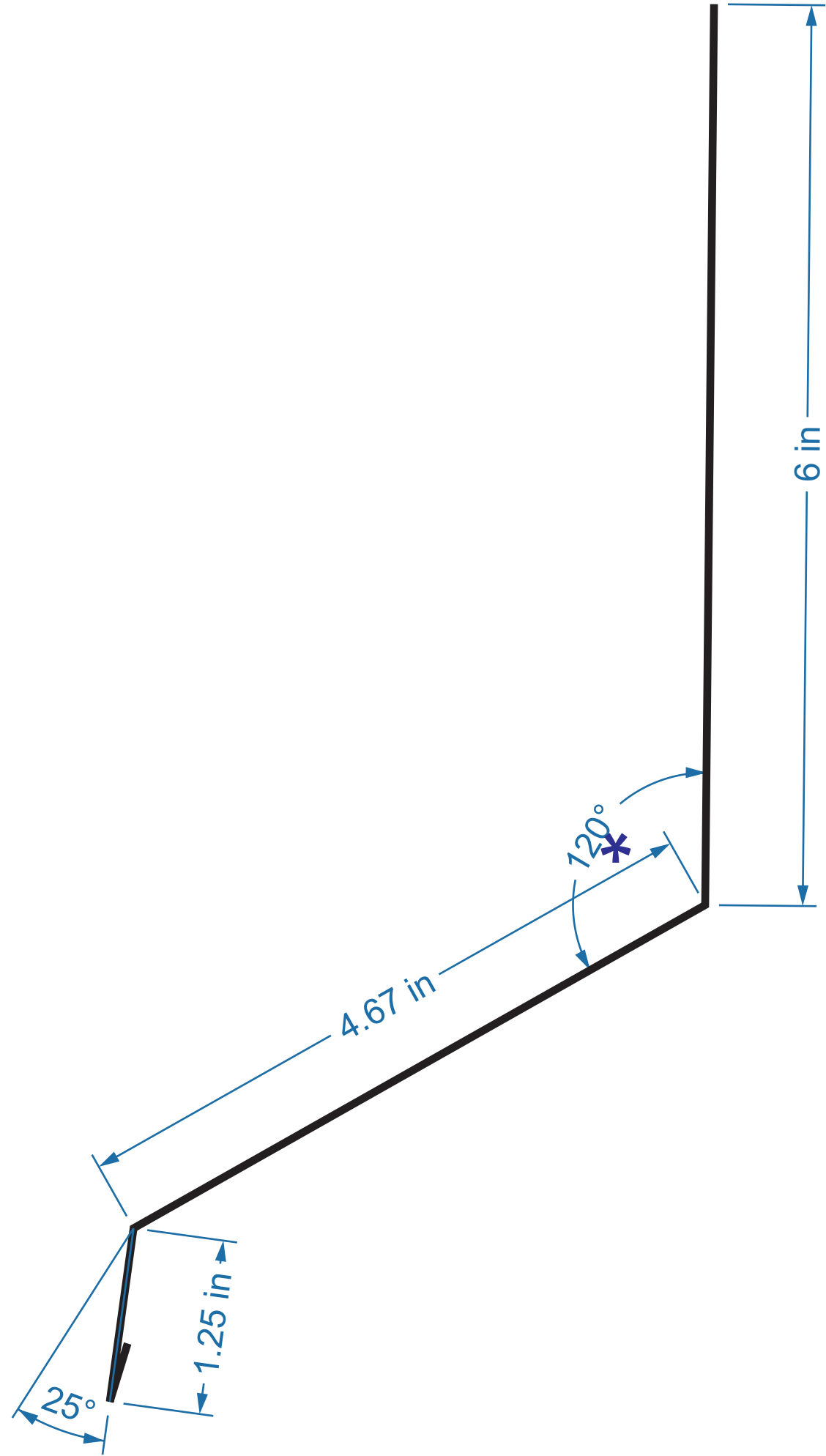


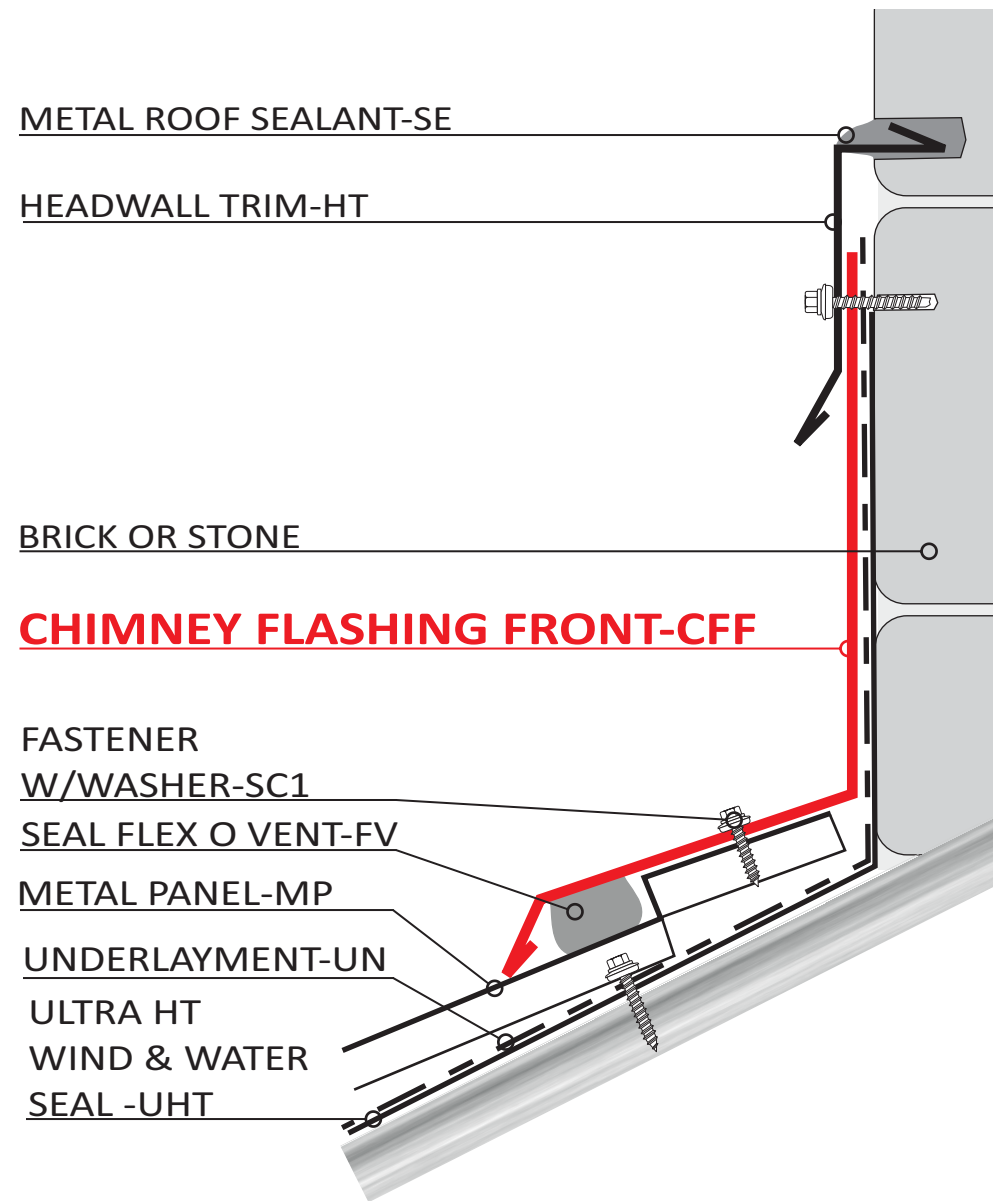












METAL ROOF SEALANT-SE

HEADWALL TRIM-HT

BRICK OR STONE

CHIMNEY FLASHING FRONT-CFF

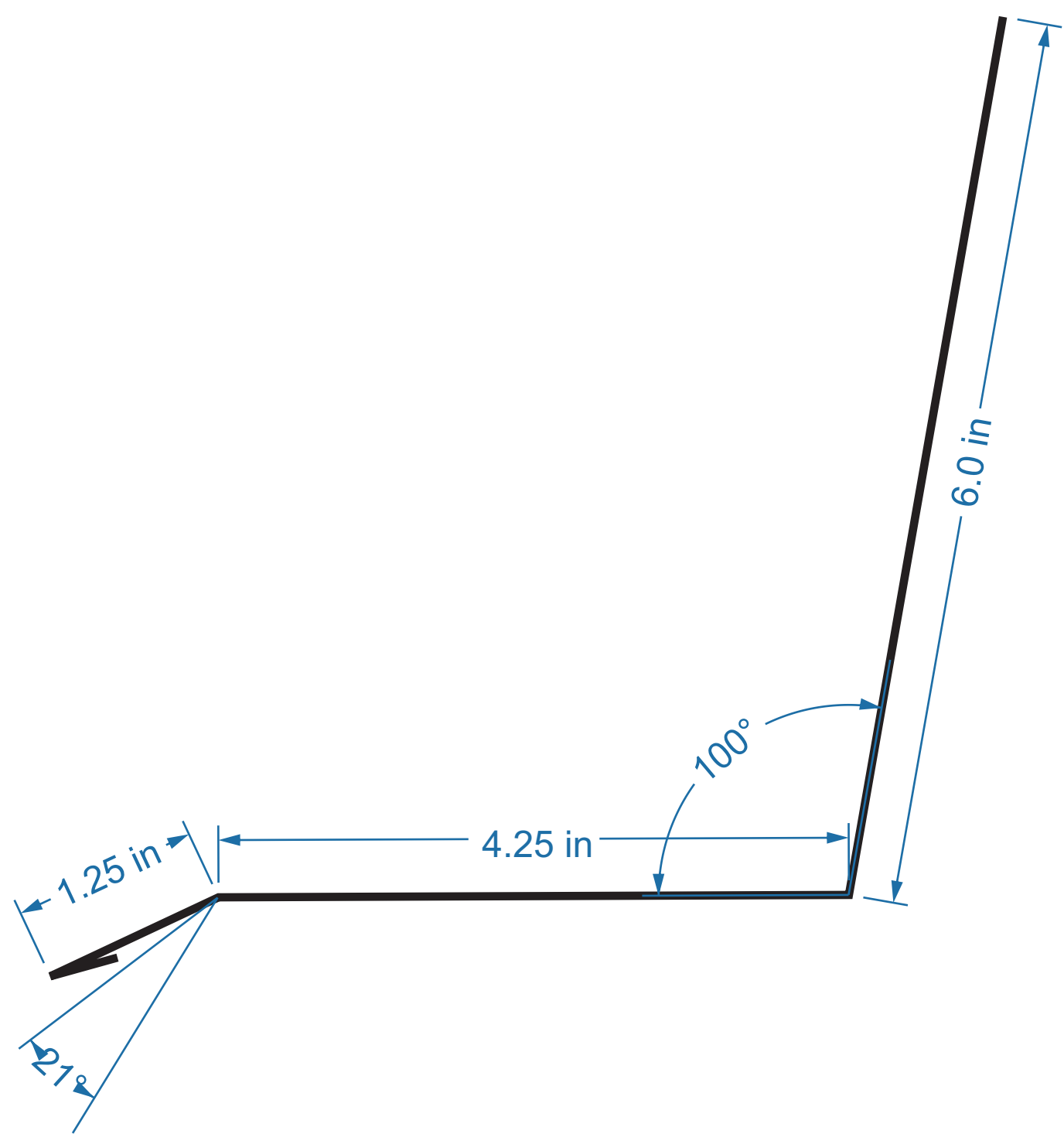
FASTENER
W/WASHER-SC1

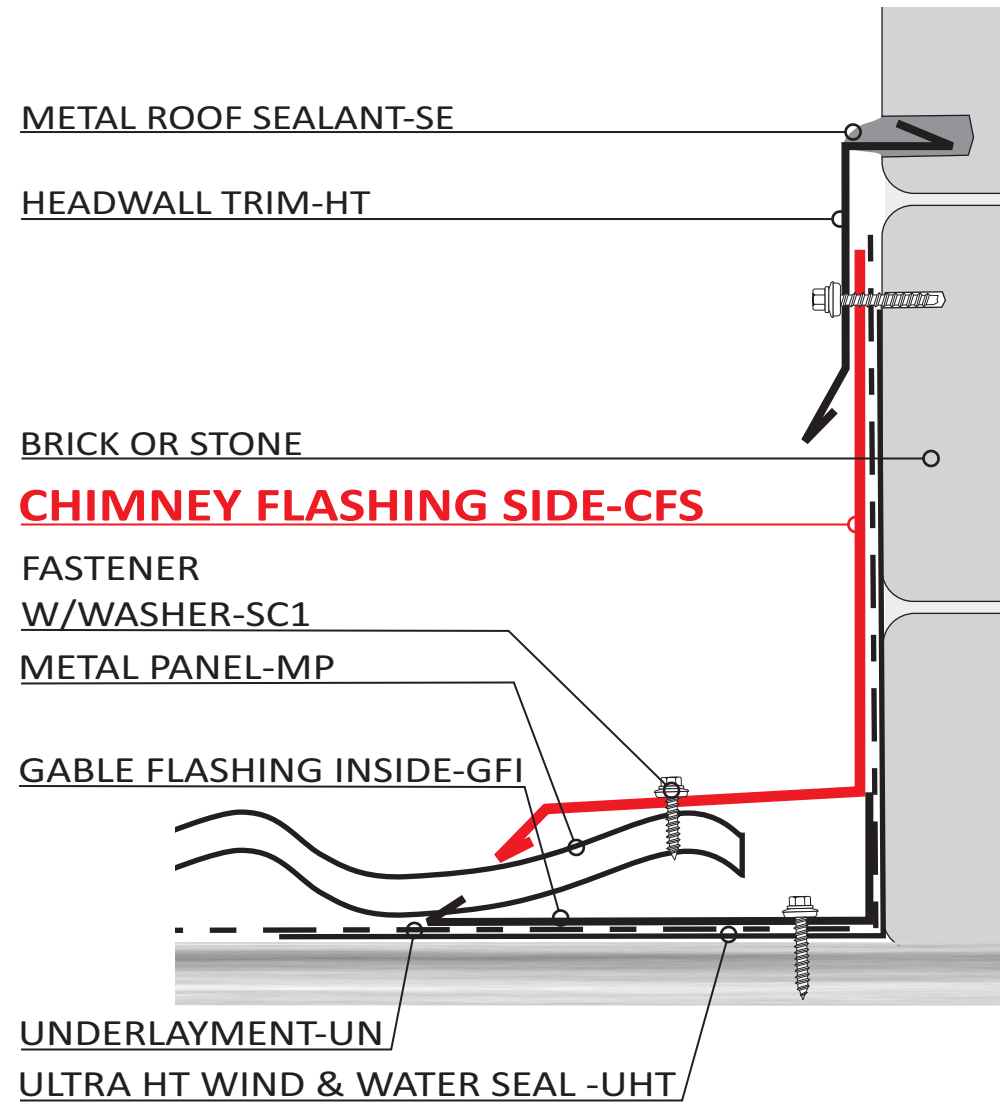
SEAL FLEX O VENT-FV

METAL PANEL-MP

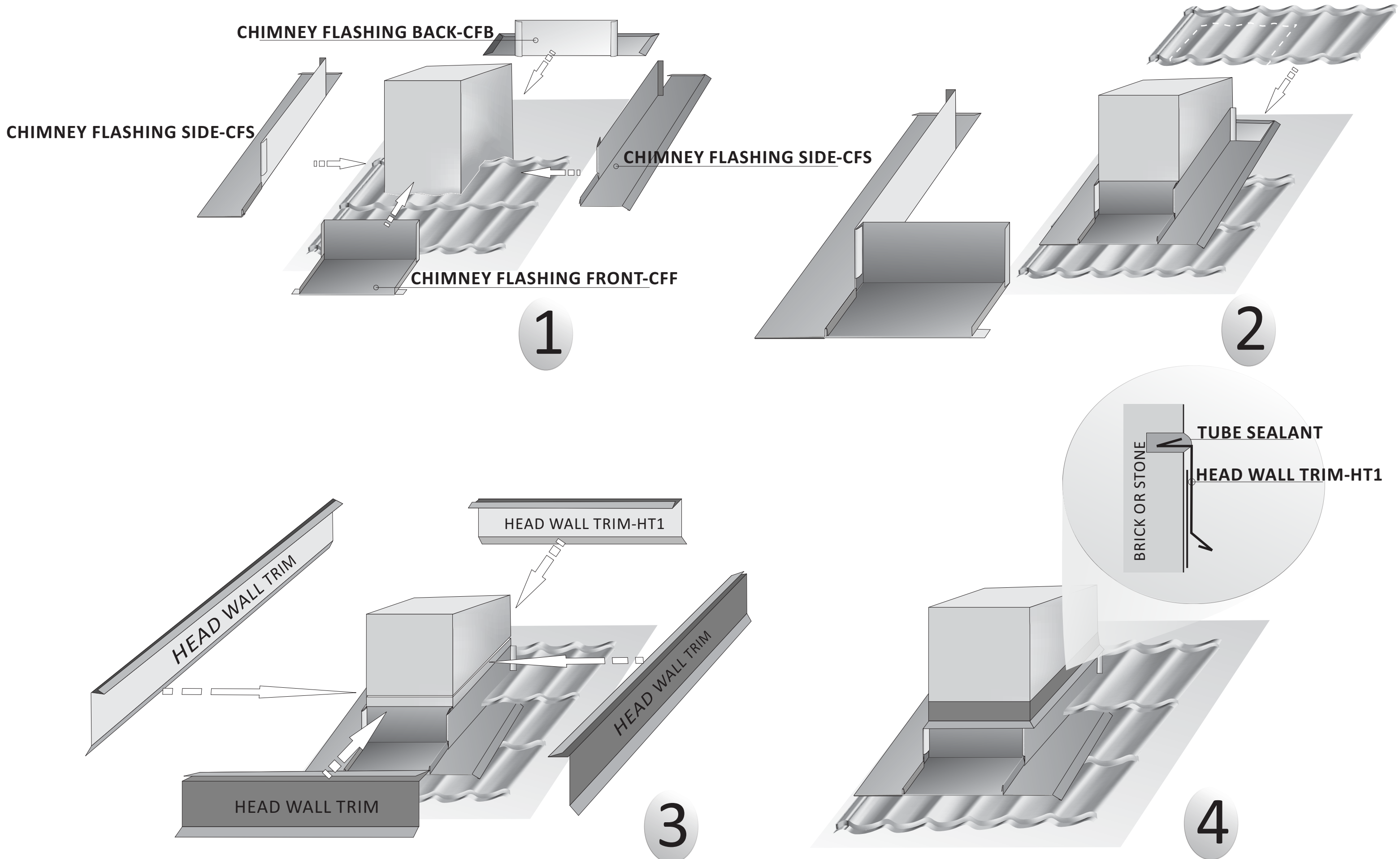
UNDERLAYMENT-UN

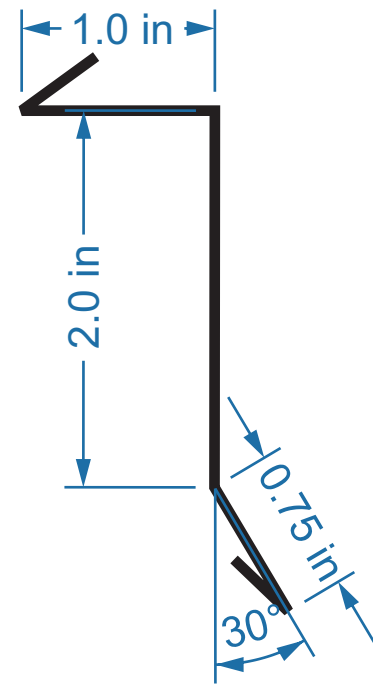
ULTRA HT
WIND & WATER
SEAL -UHT

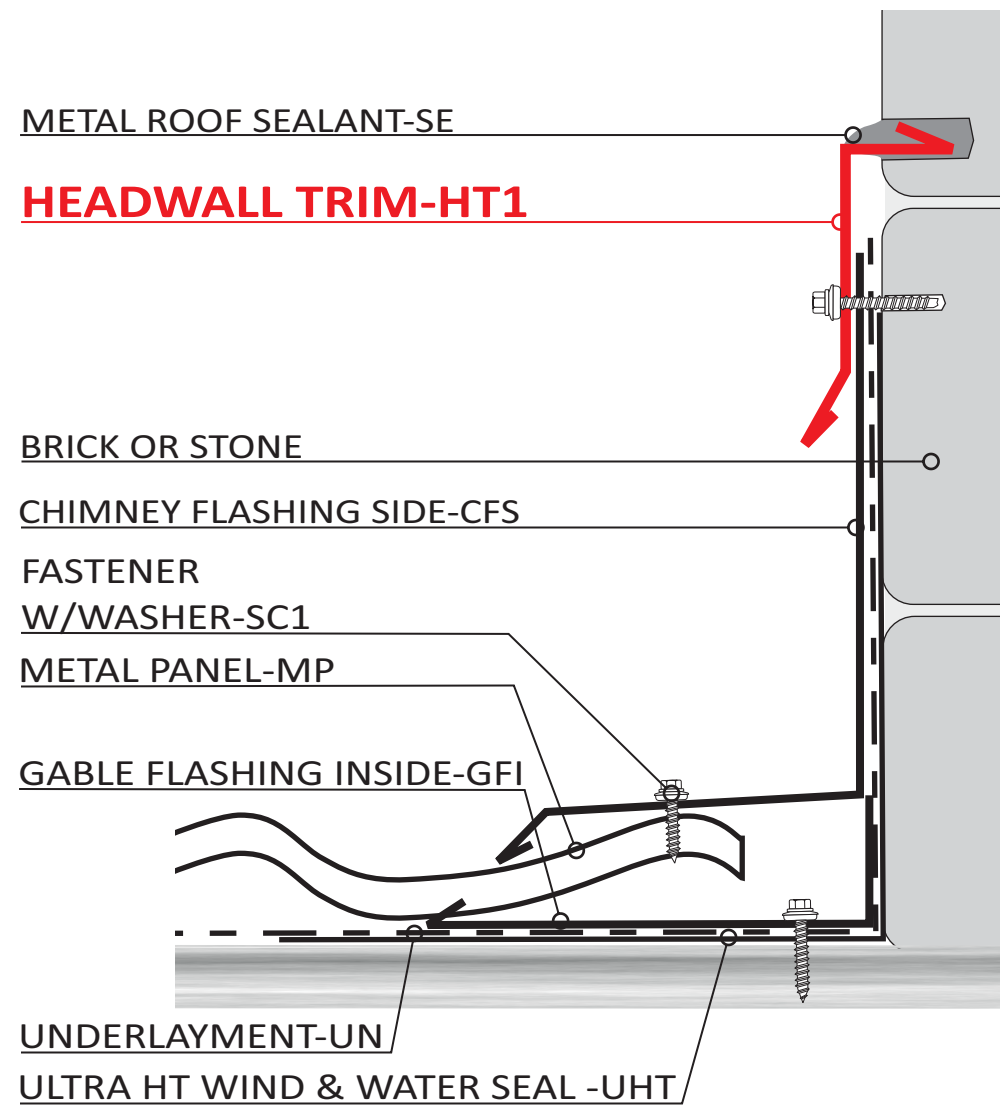


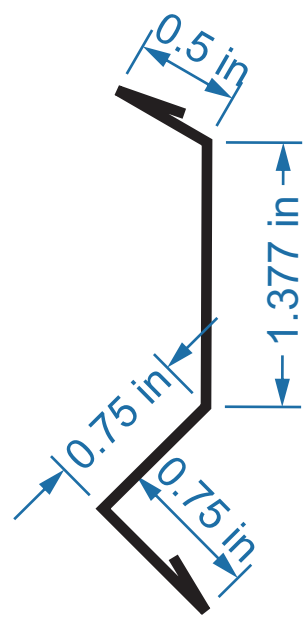


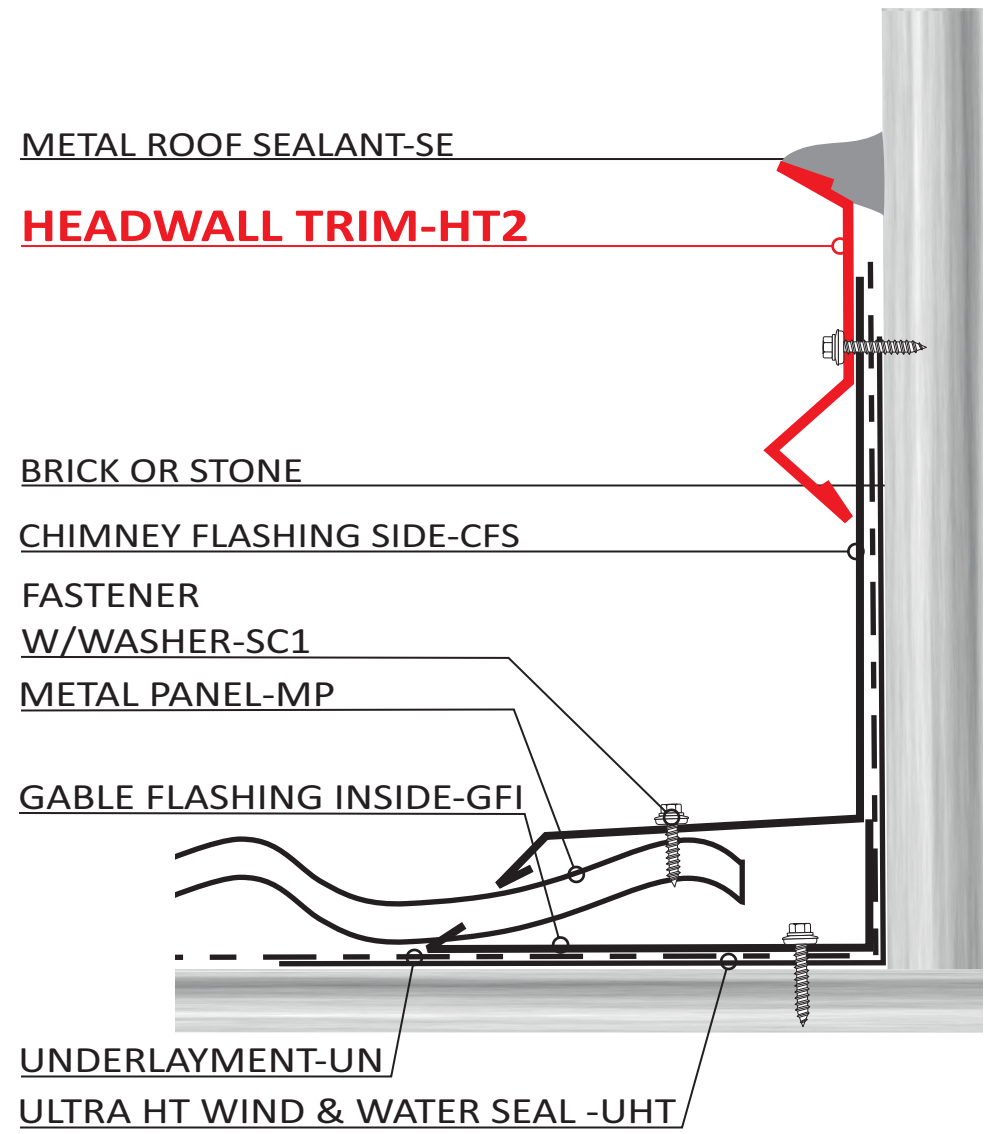
CHIMNEY FLASHING

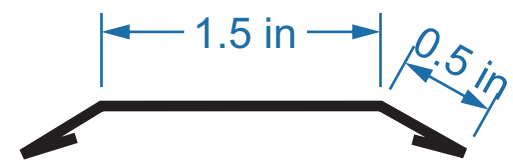


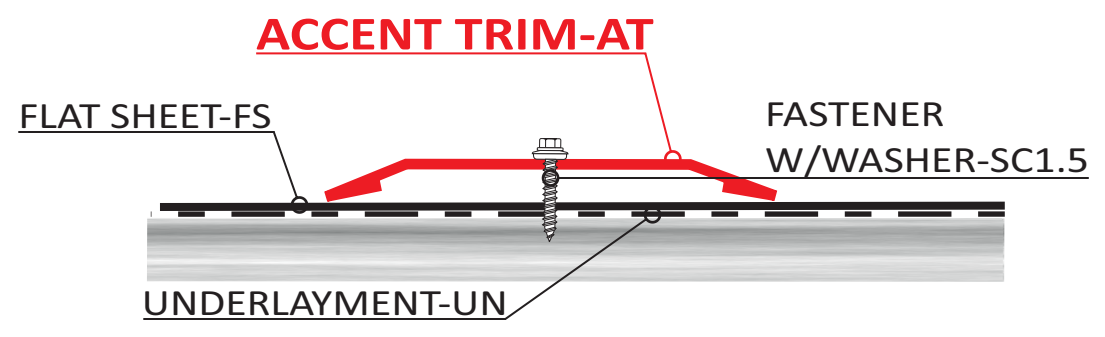




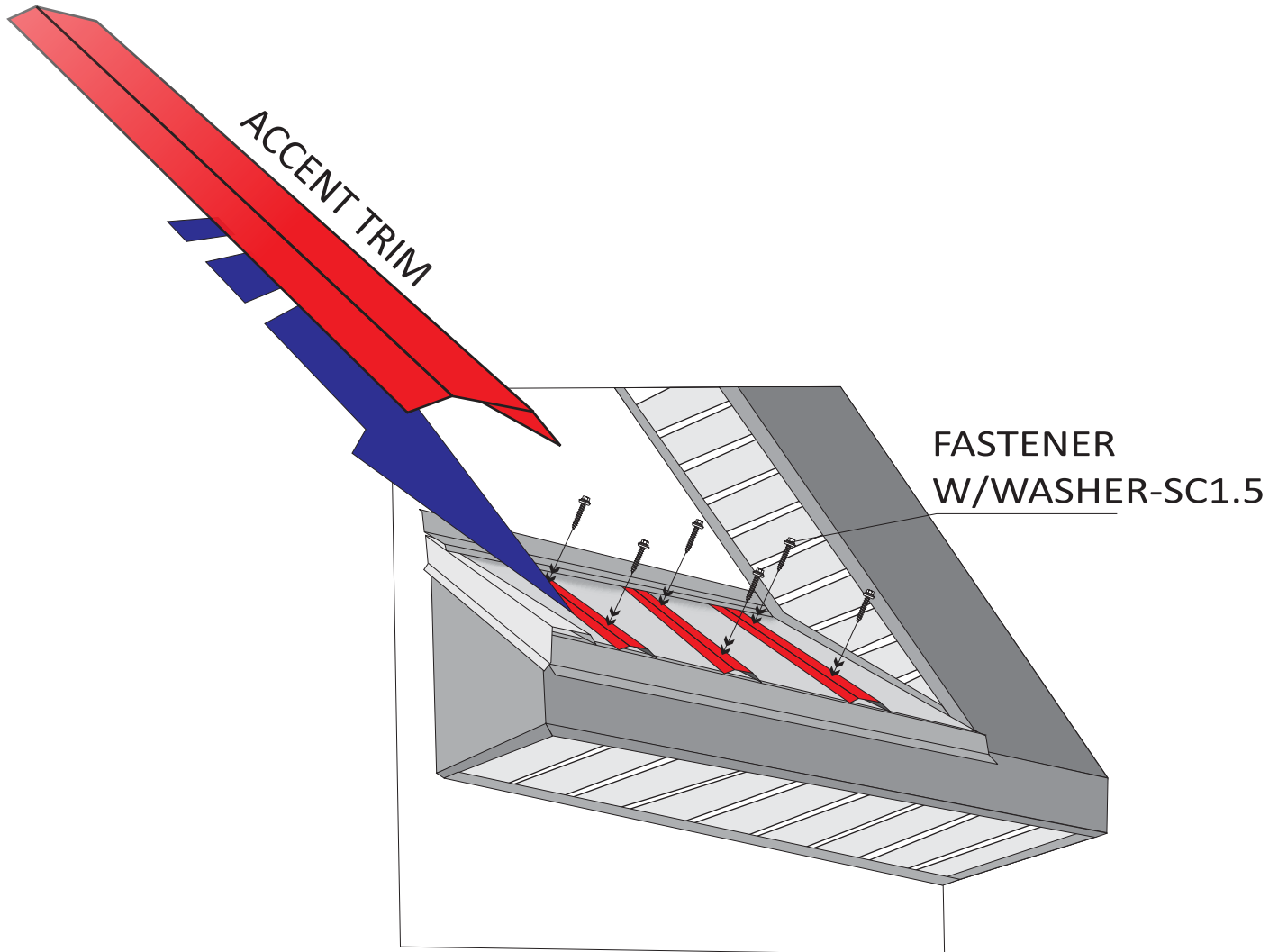




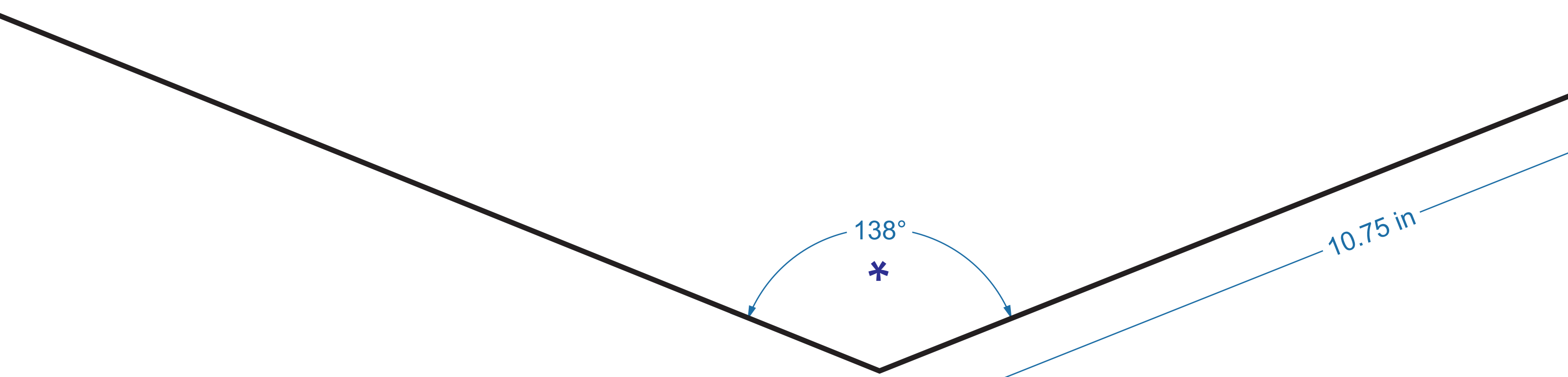




ACCENT TRIM-AT



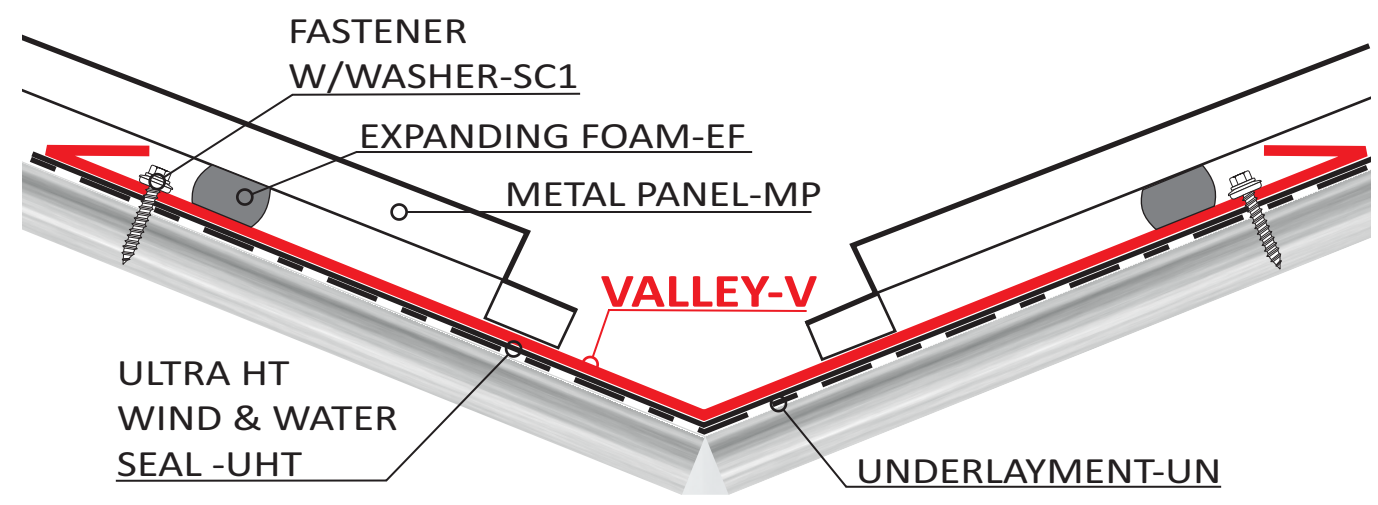
25 in

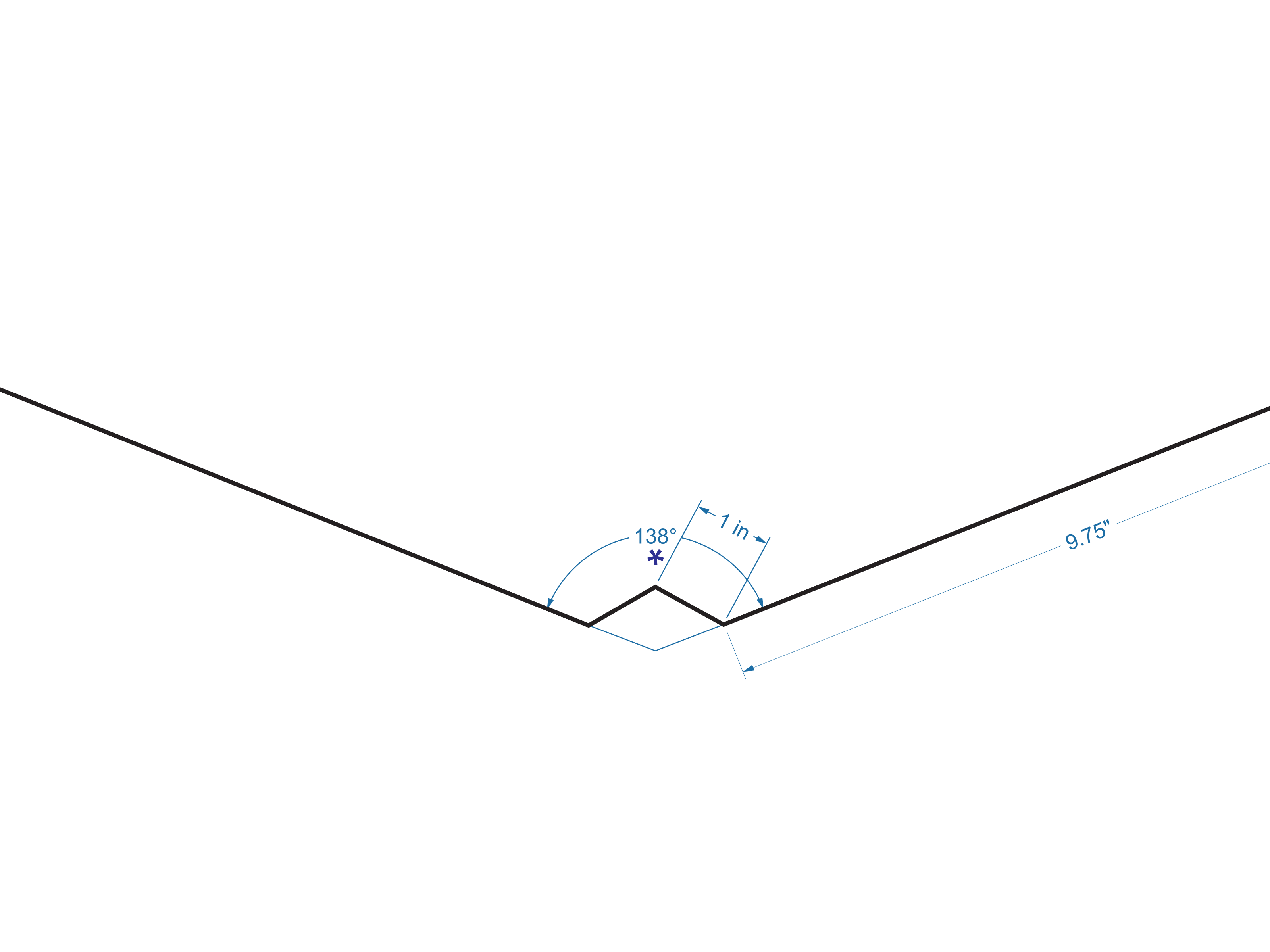


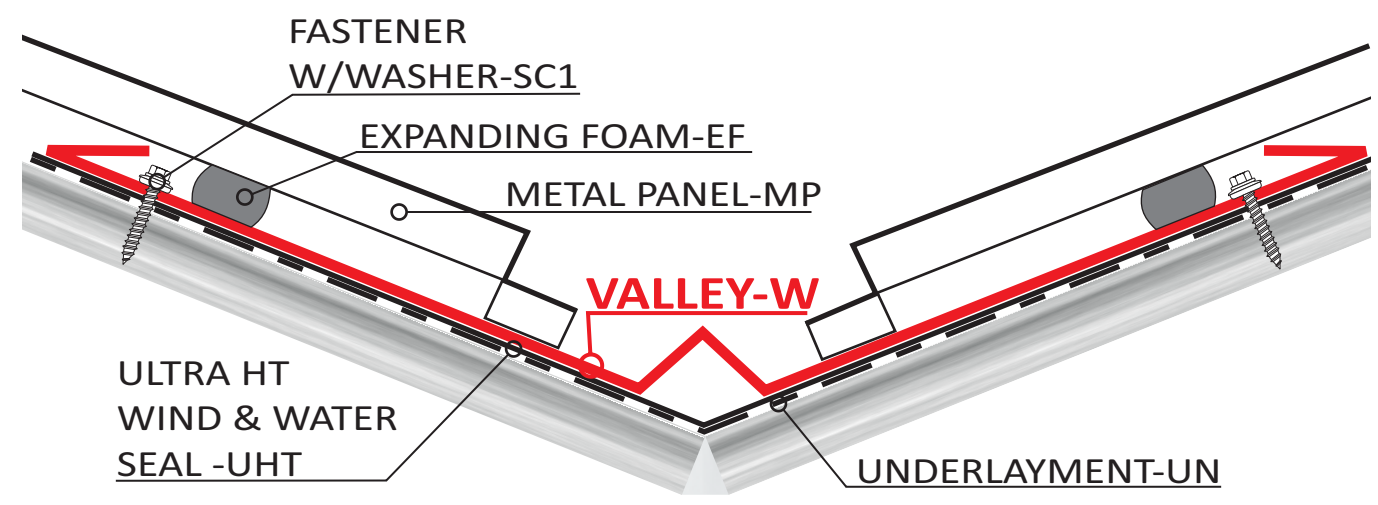
138°

*

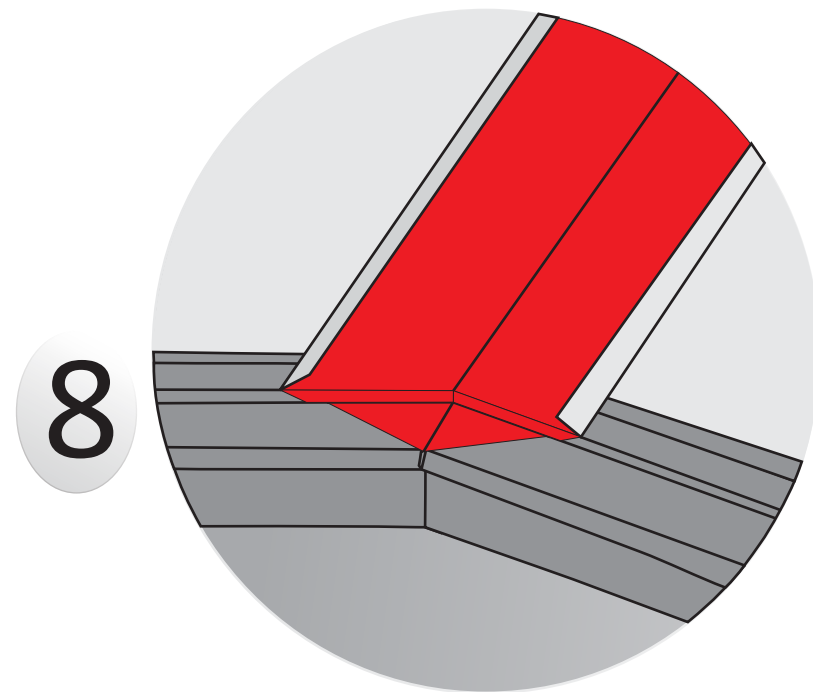
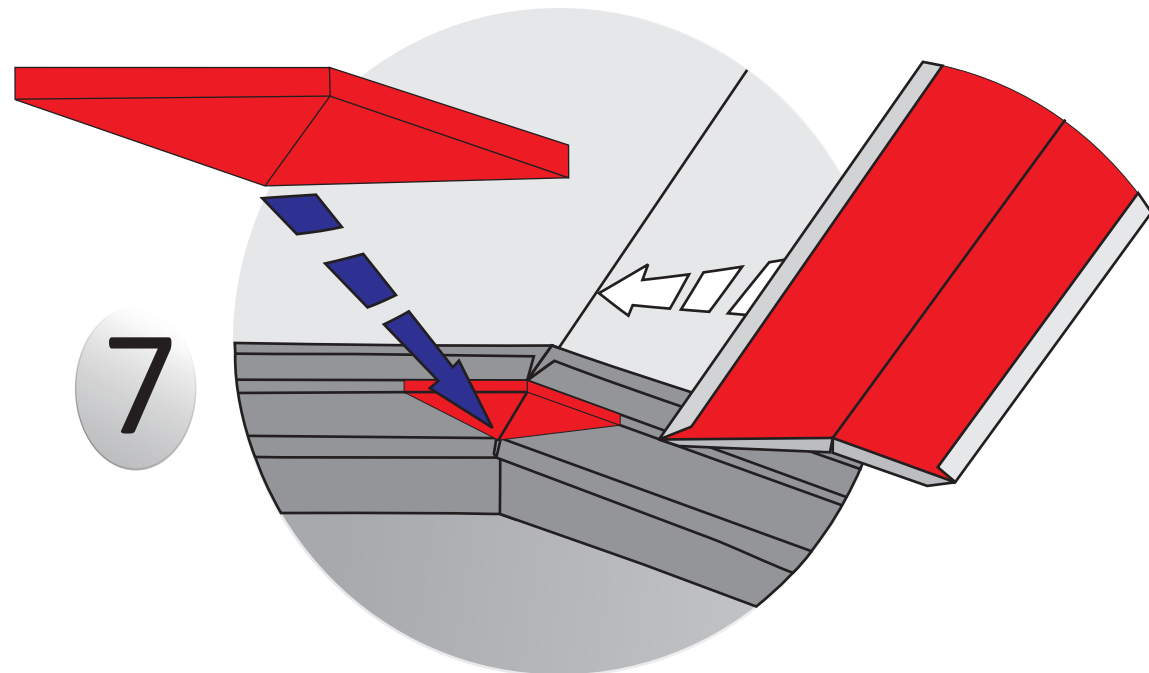
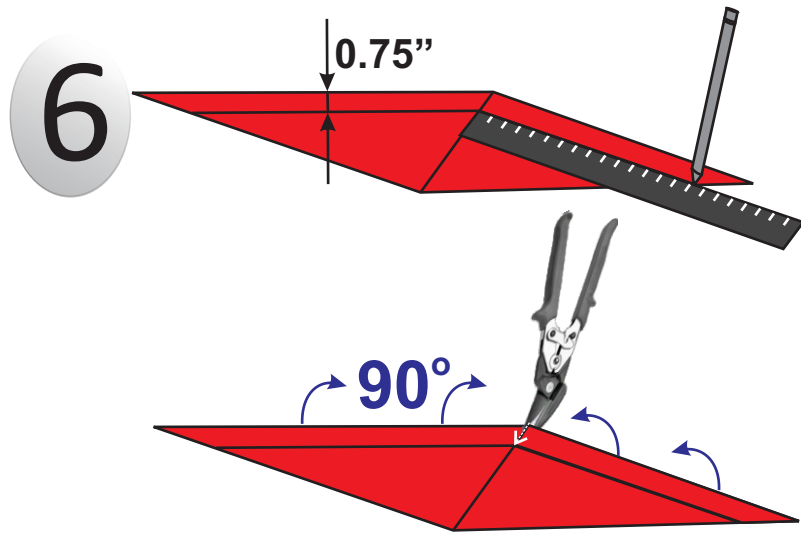
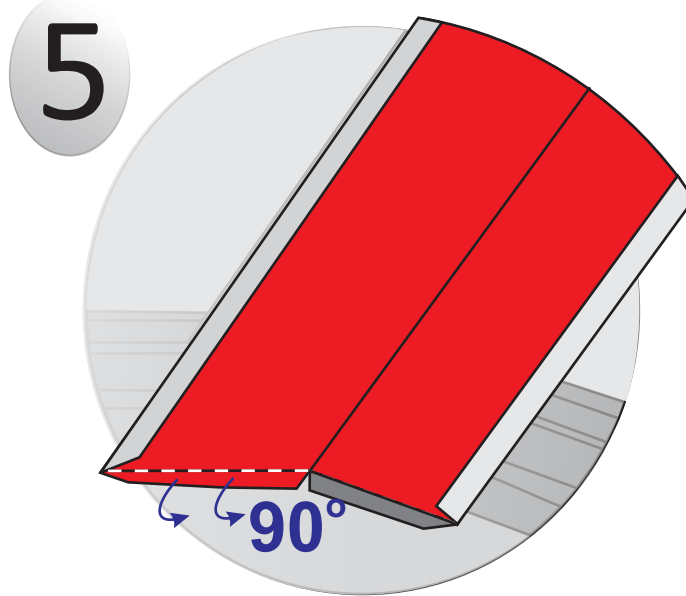
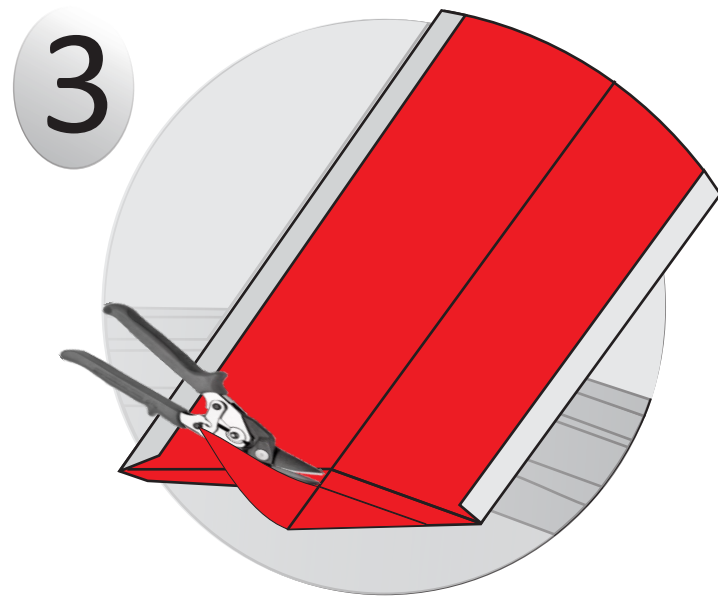
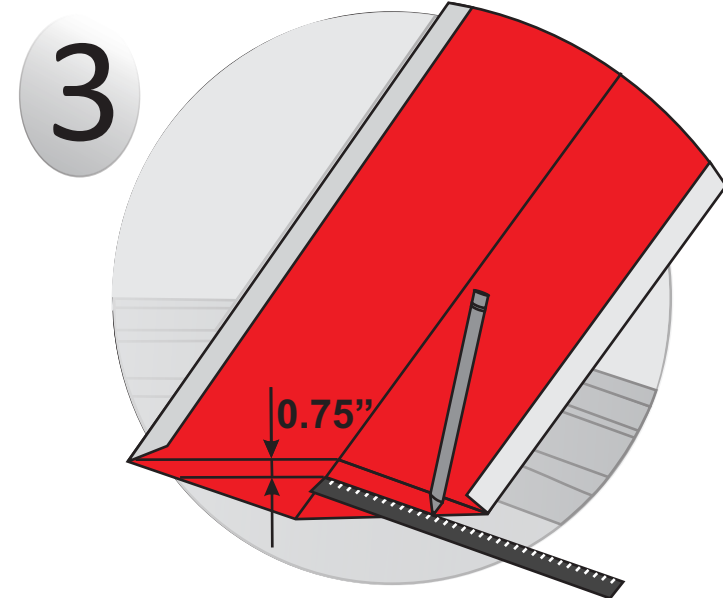
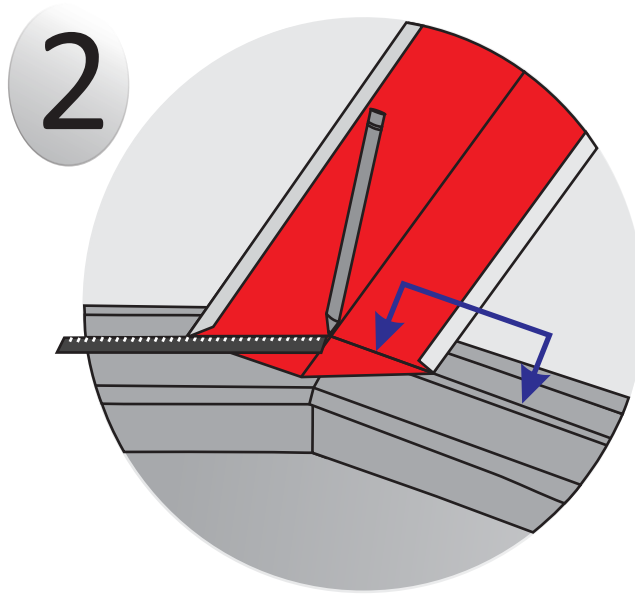
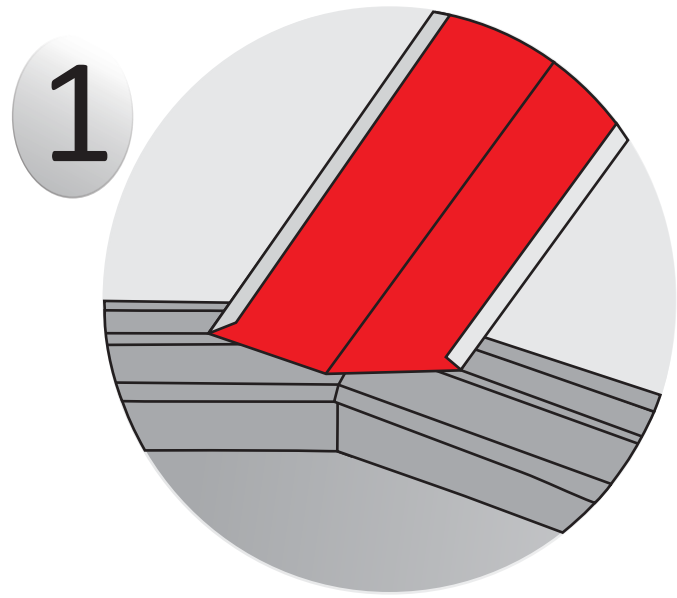
10.75 in

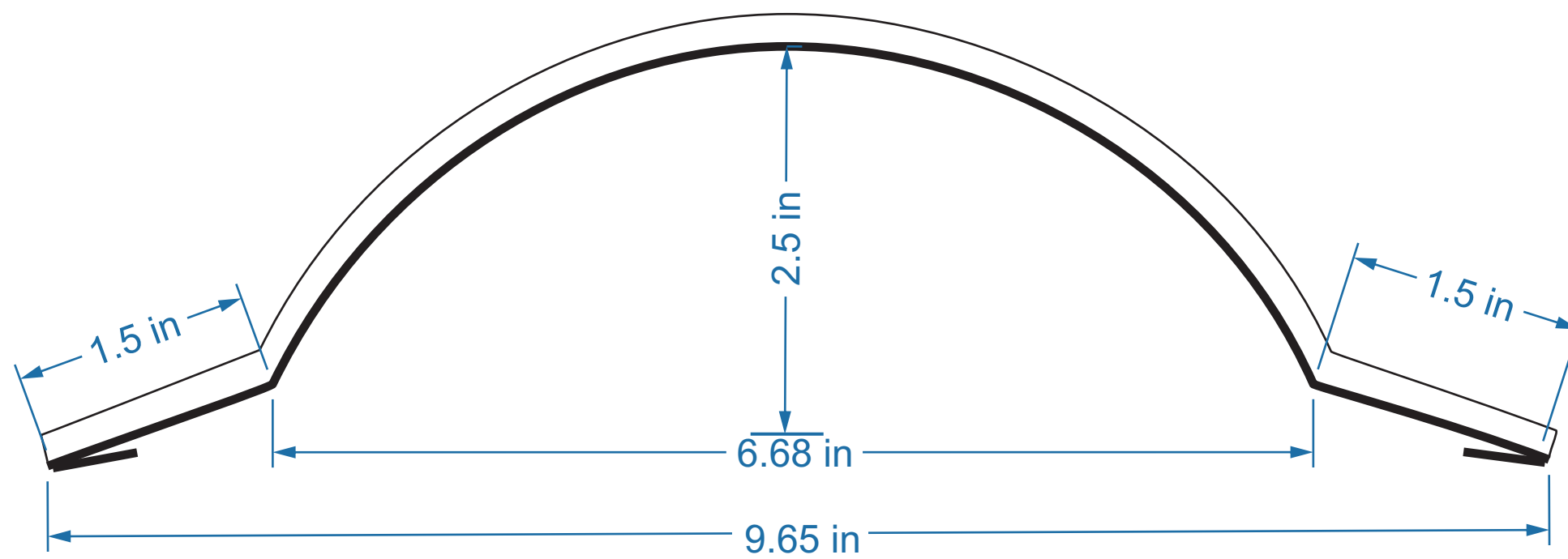
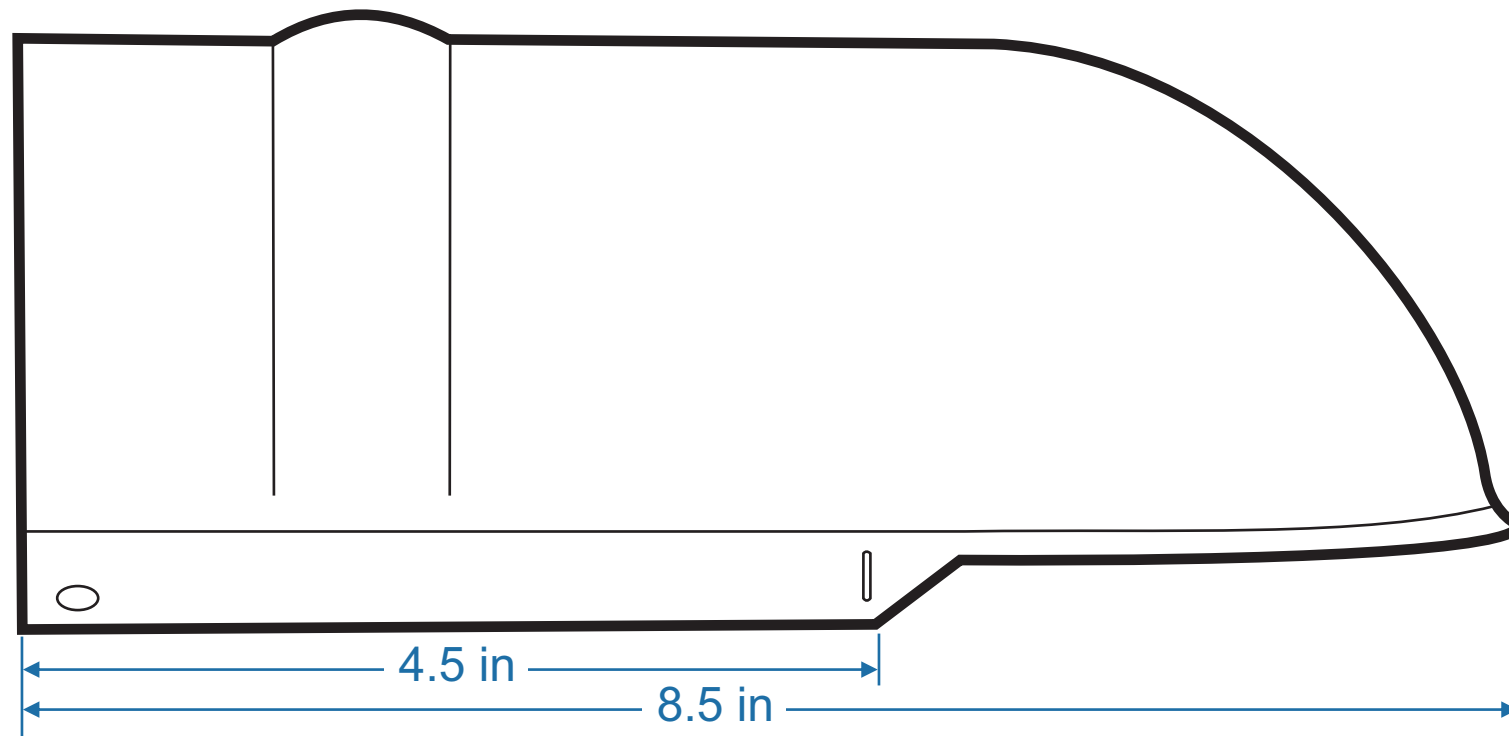


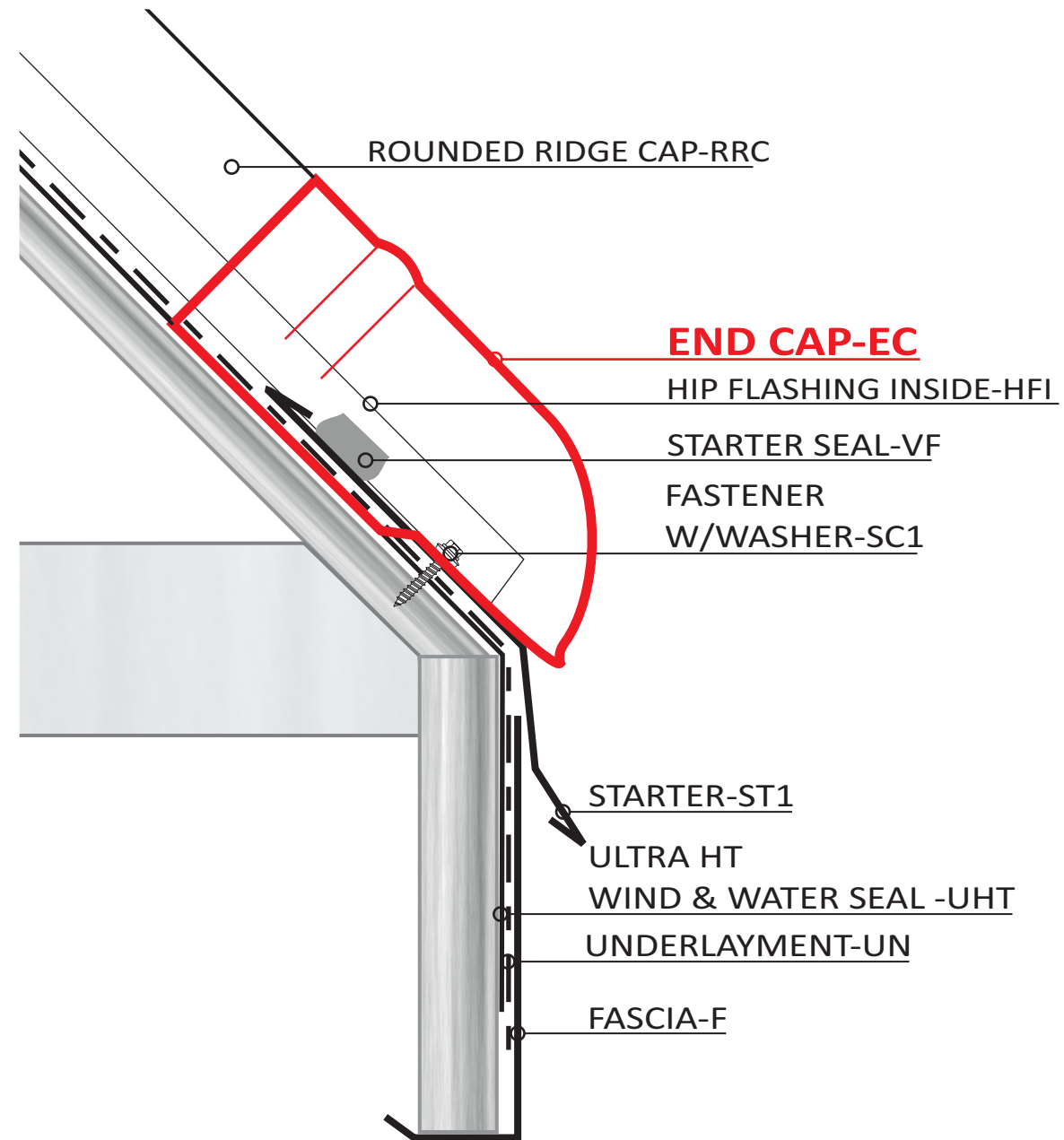




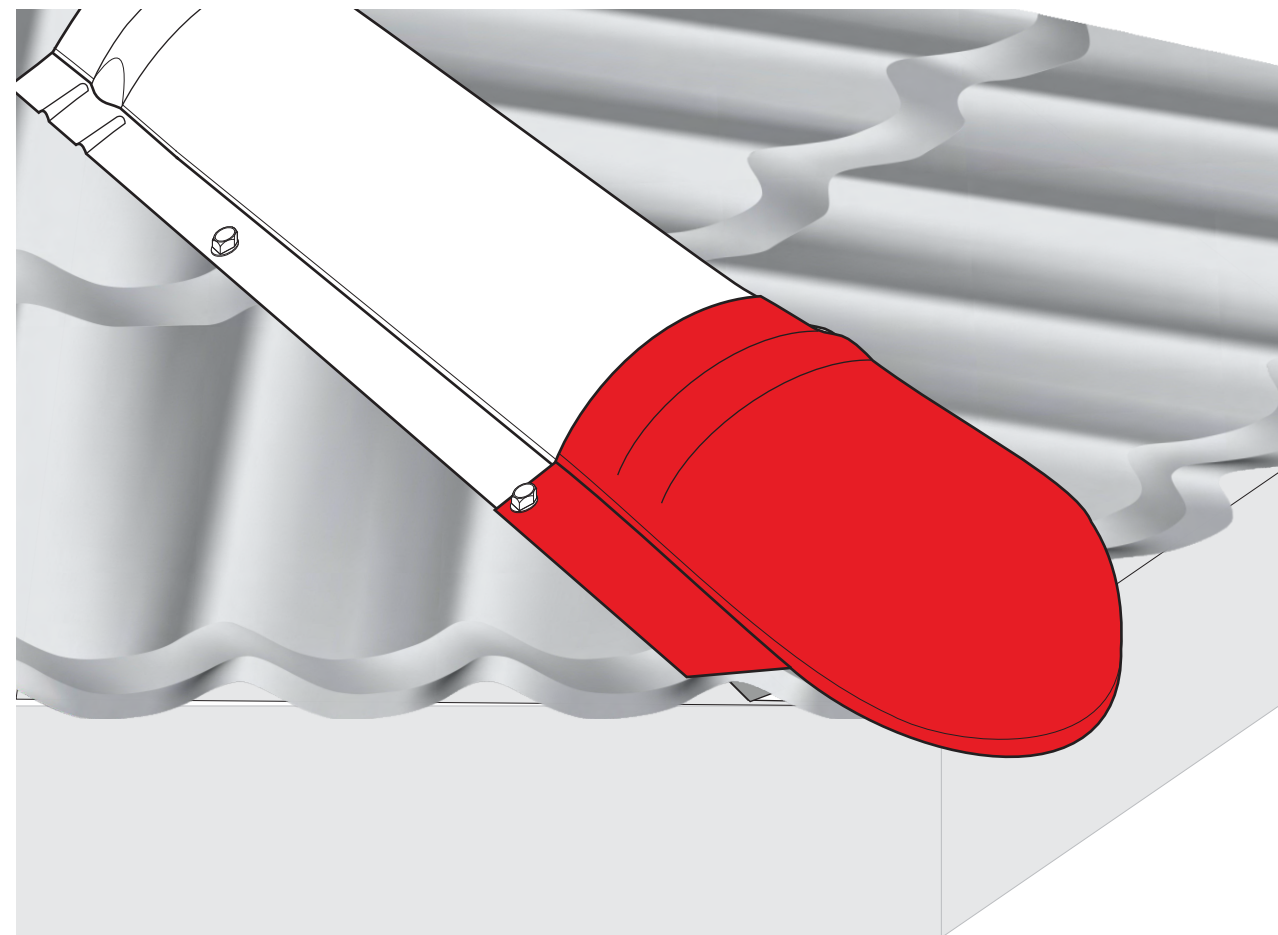
VALLEY

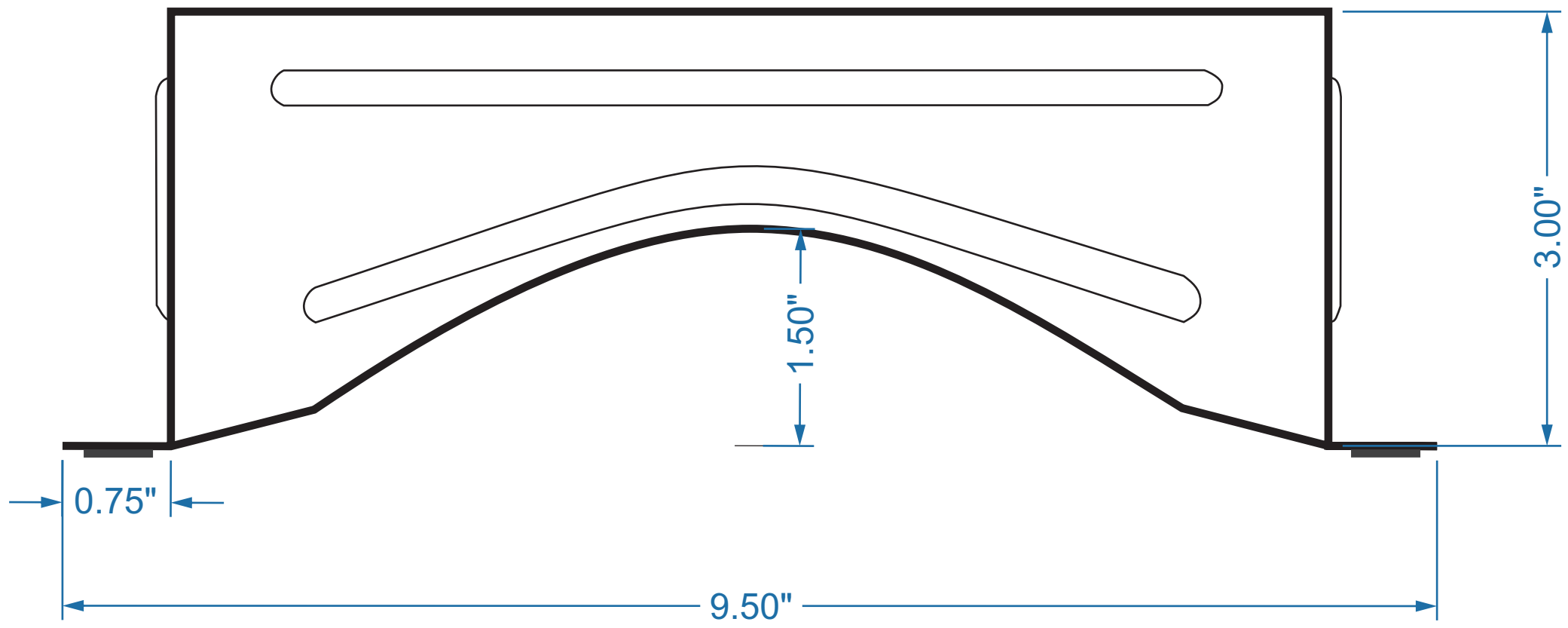


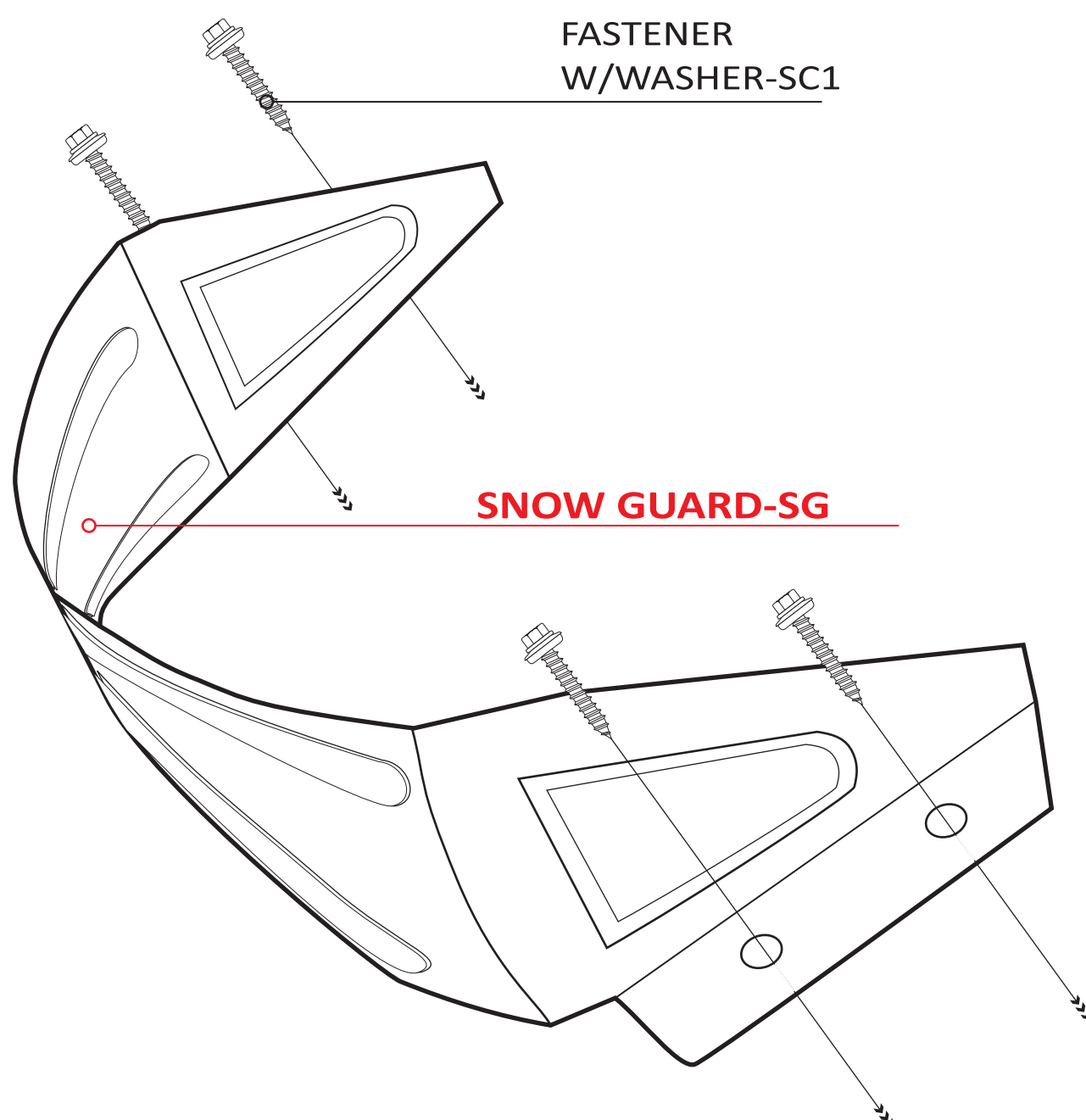




END CAP-EC





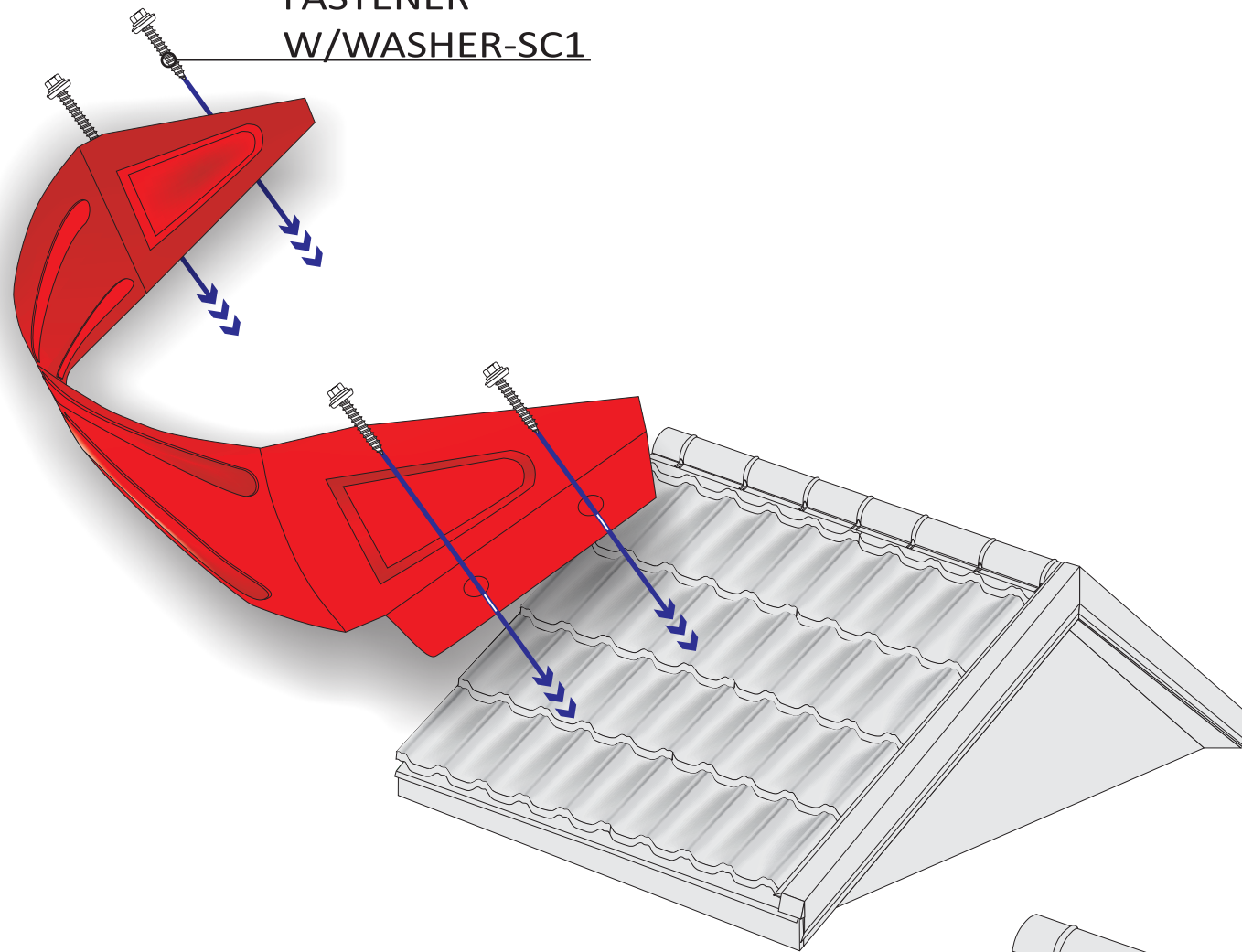


FASTENER
W/WASHER-SC1

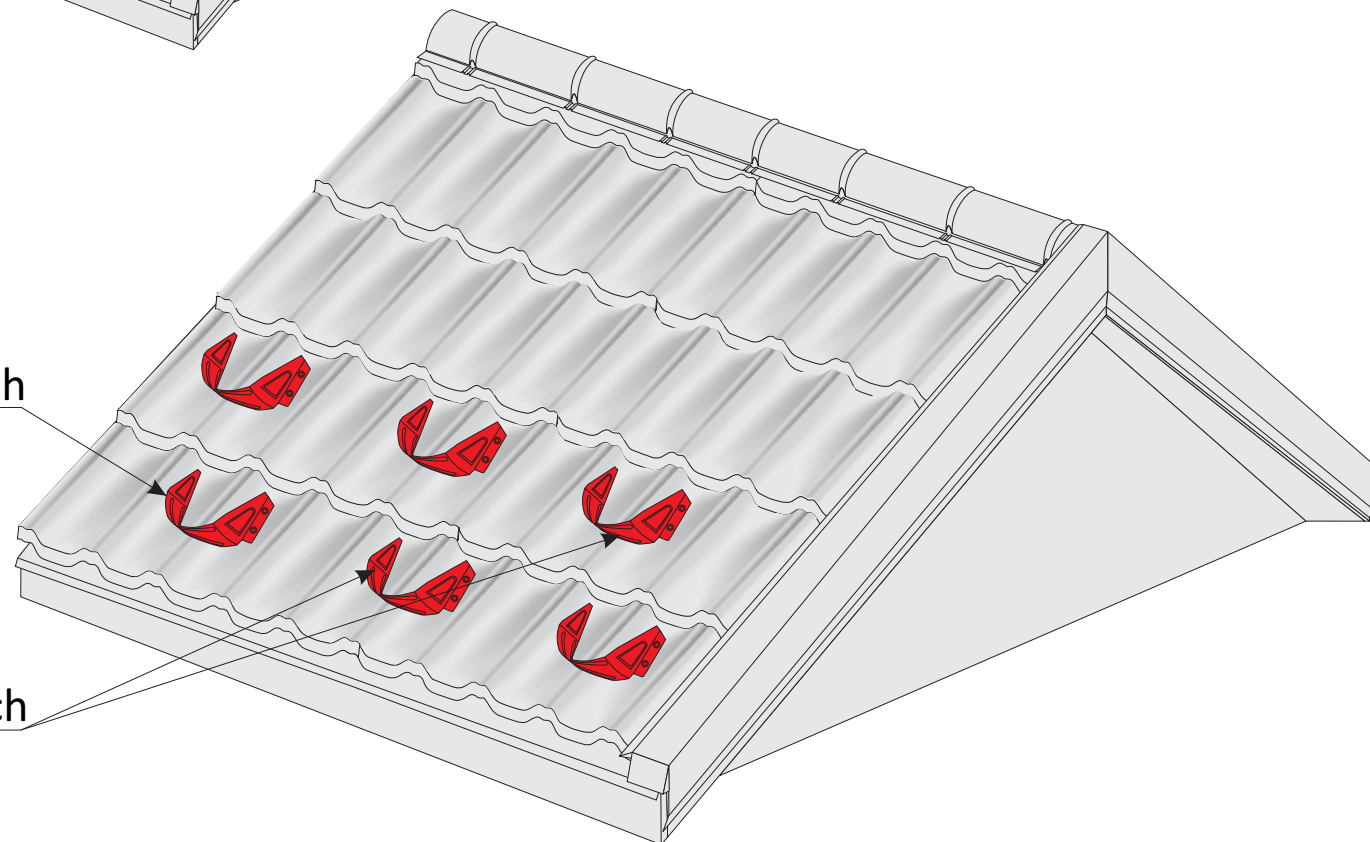
SNOW GUARD-SG

SNOW GUARD-SG

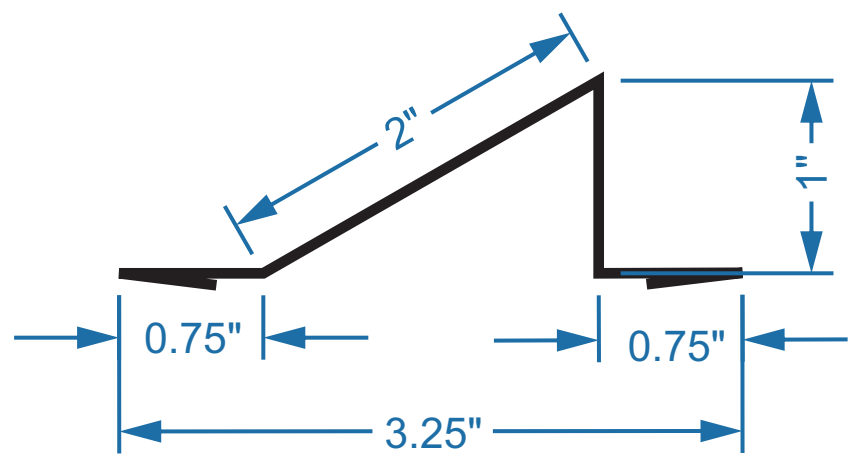
FASTENER
W/WASHER-SC1



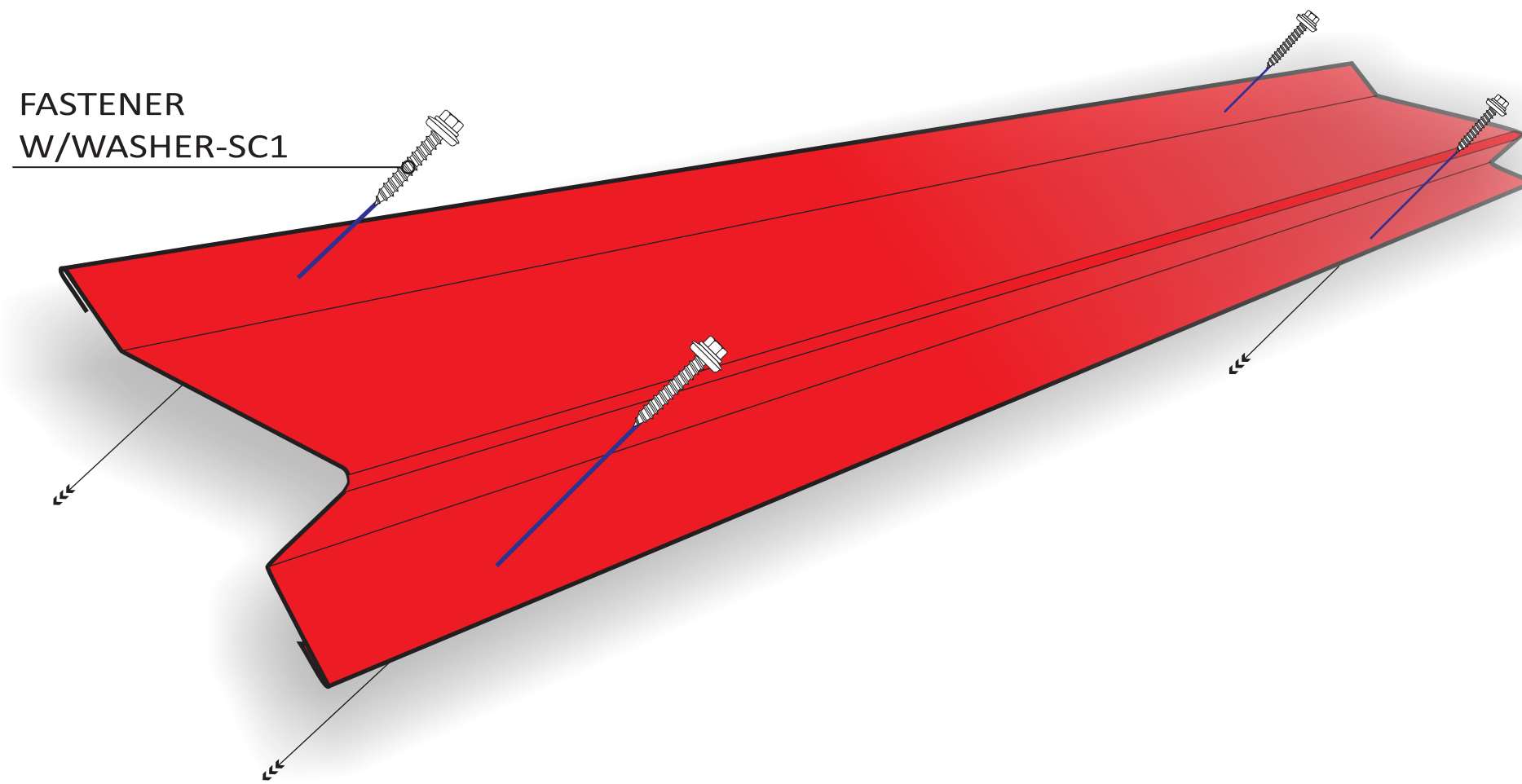
One row installed with 3/16 – 6/12 pitch



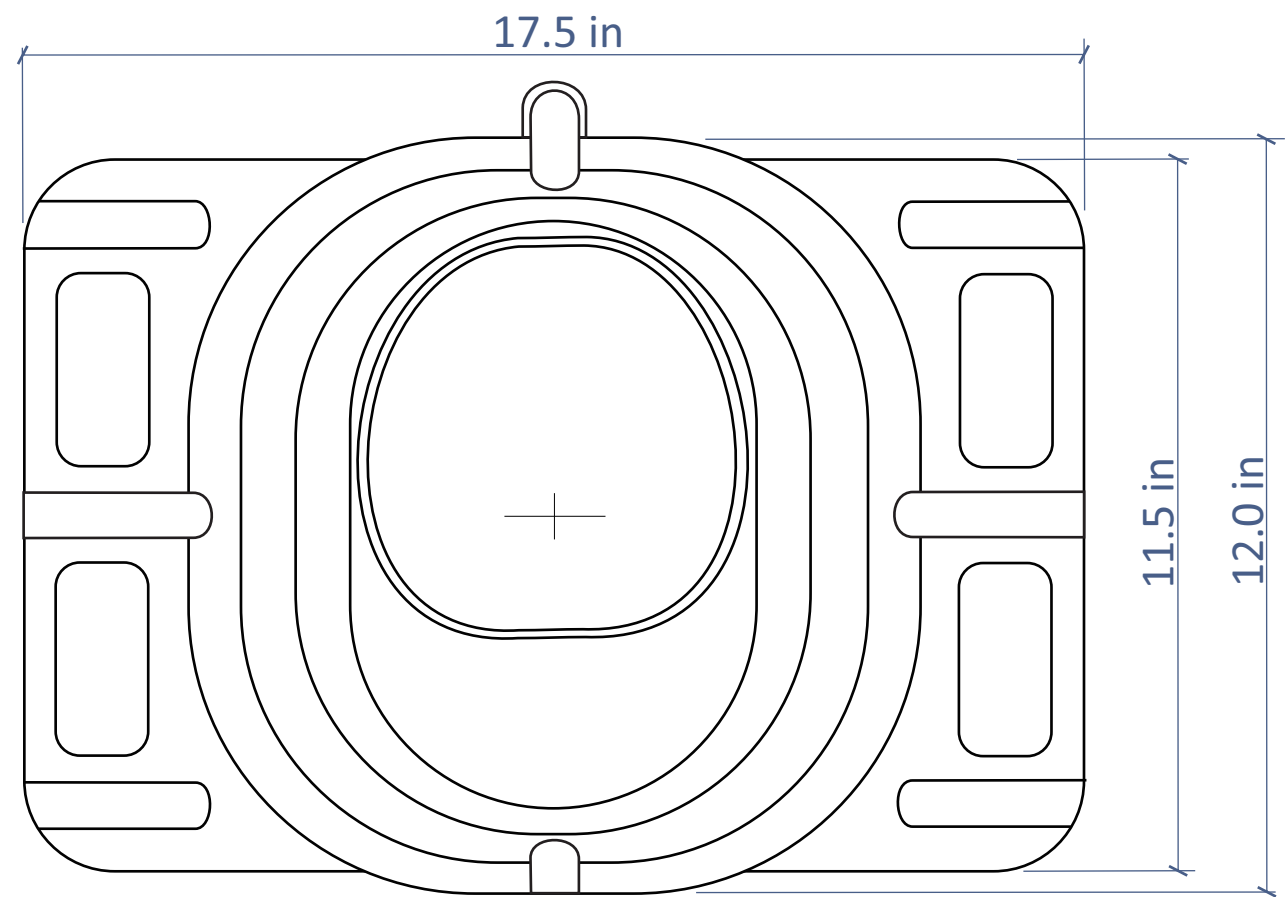
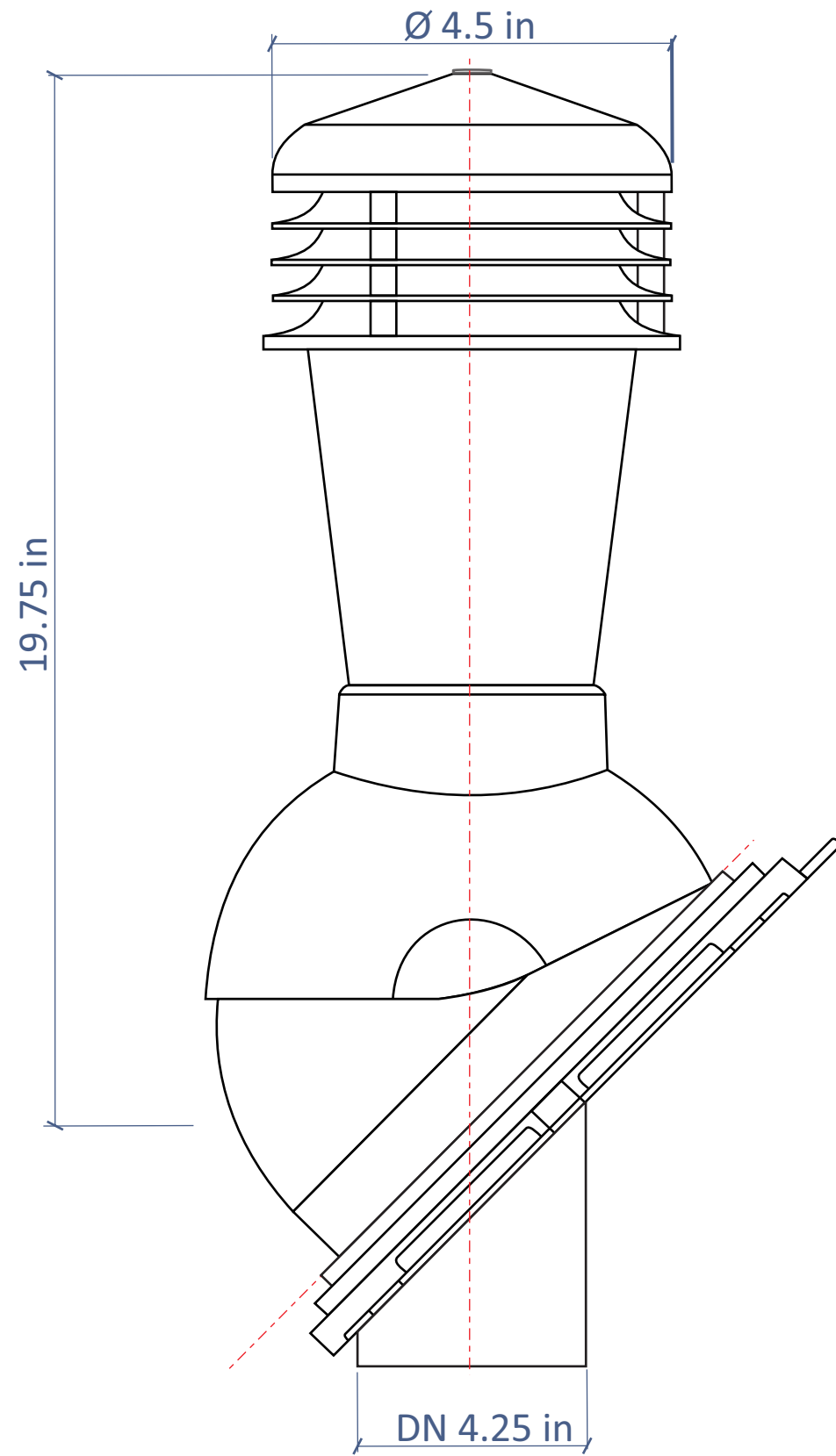
Two rows installed with 7/12 to 12/12 pitch



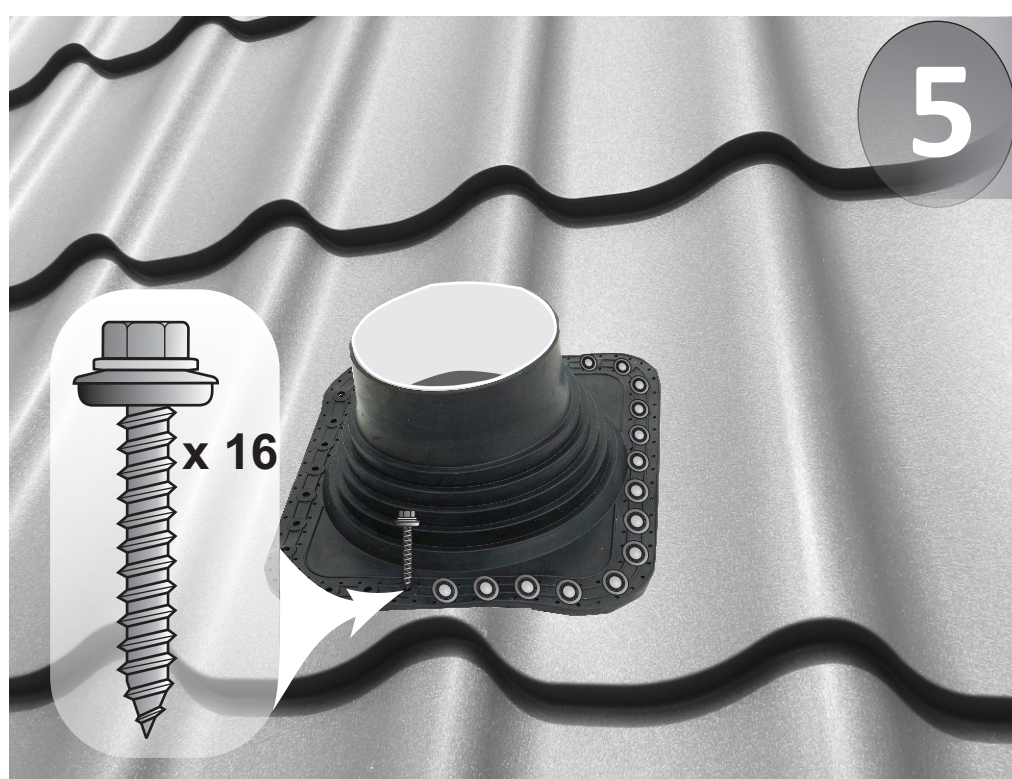
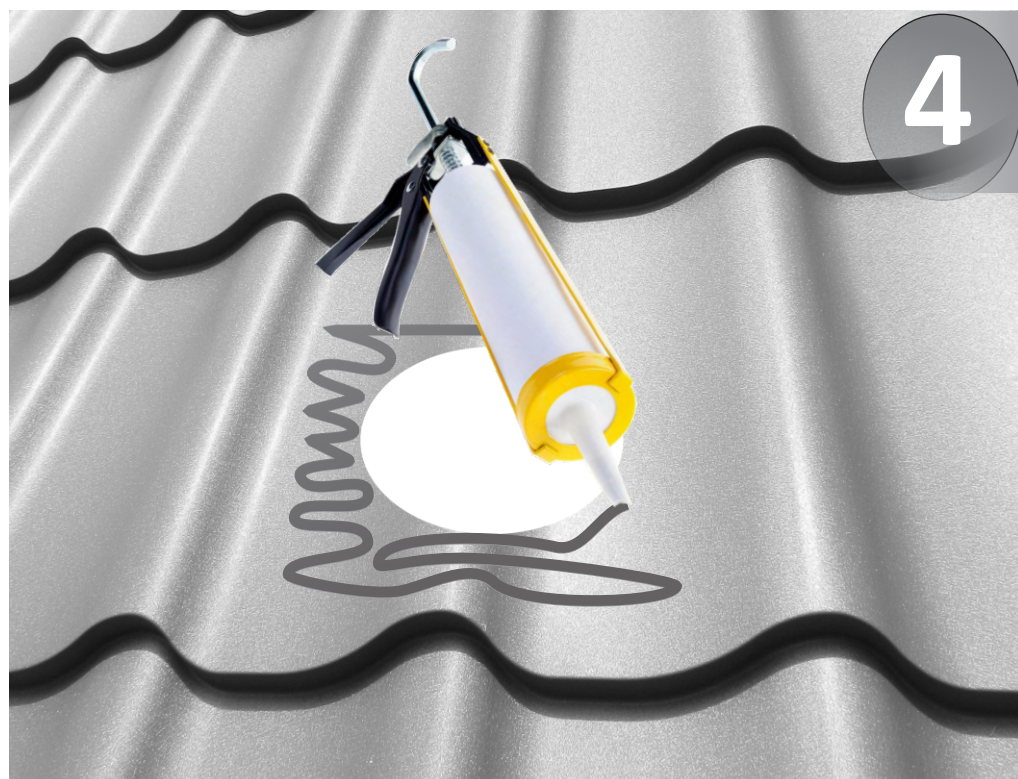
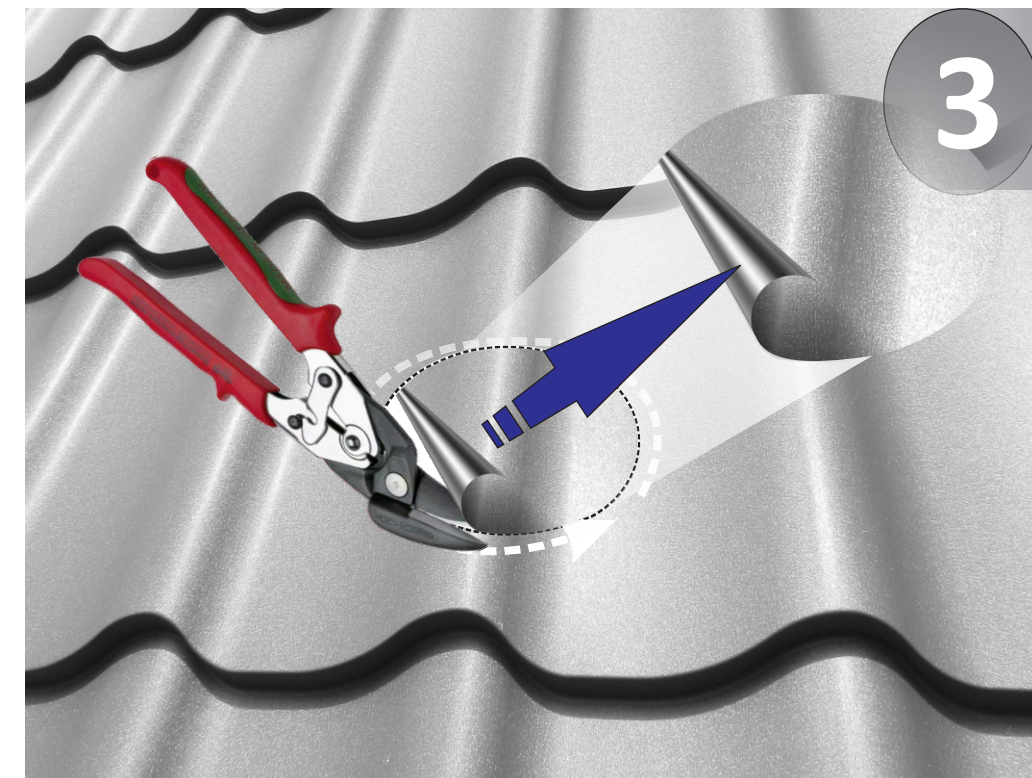
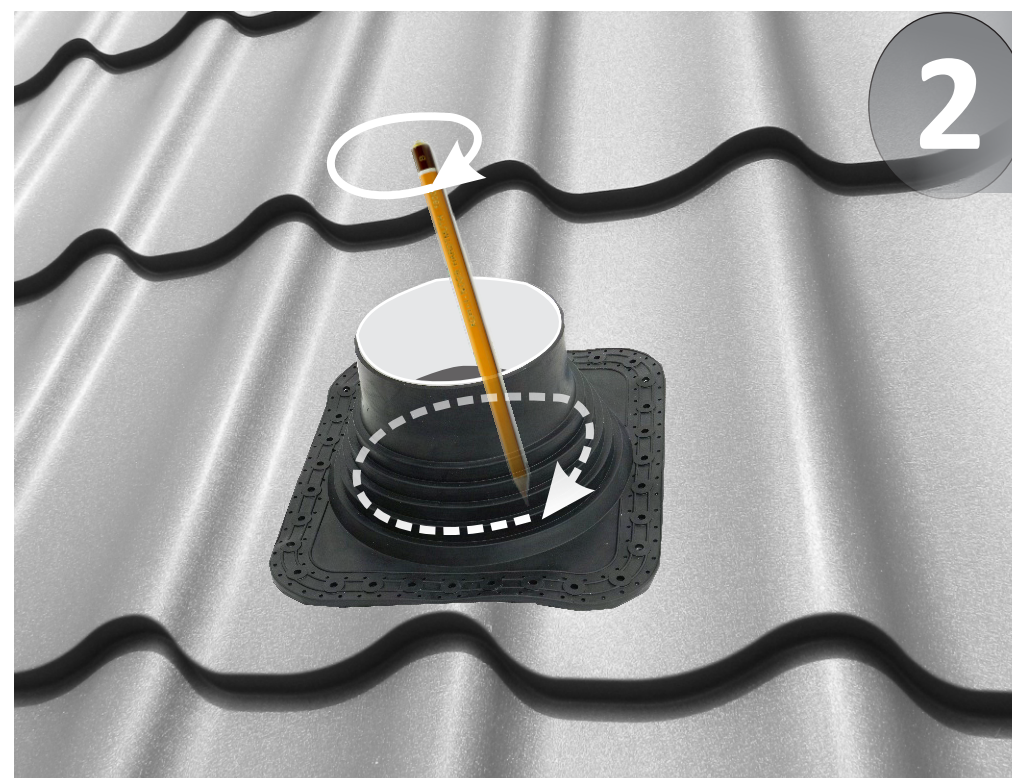
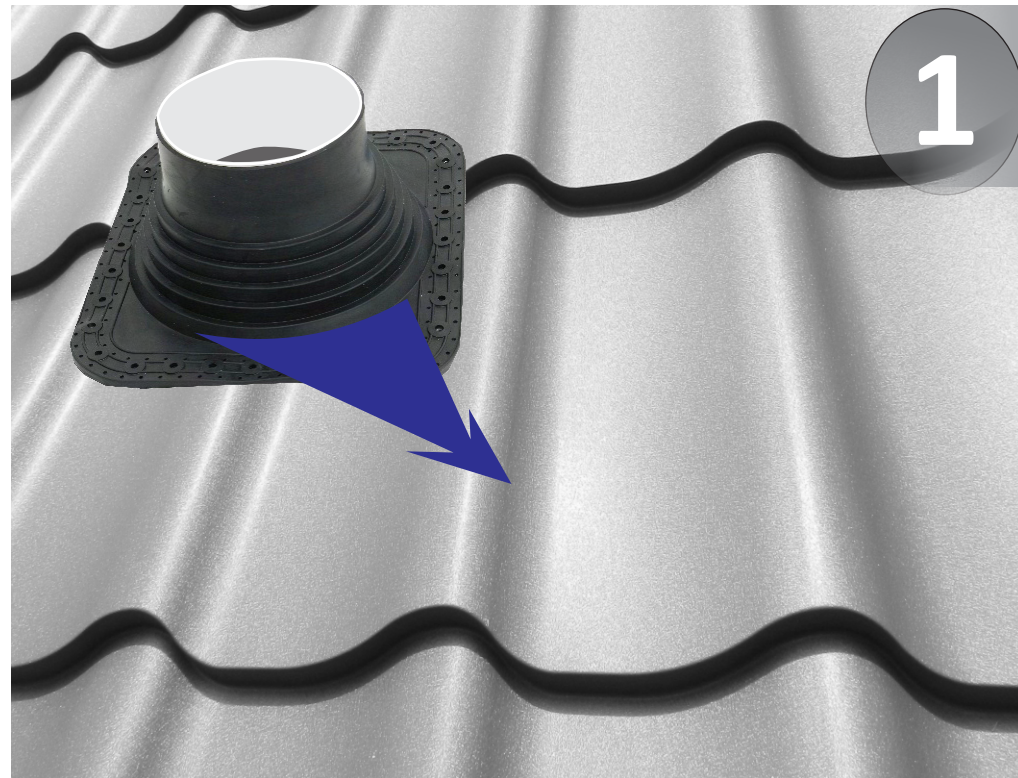
SNOW GUARD-SGT

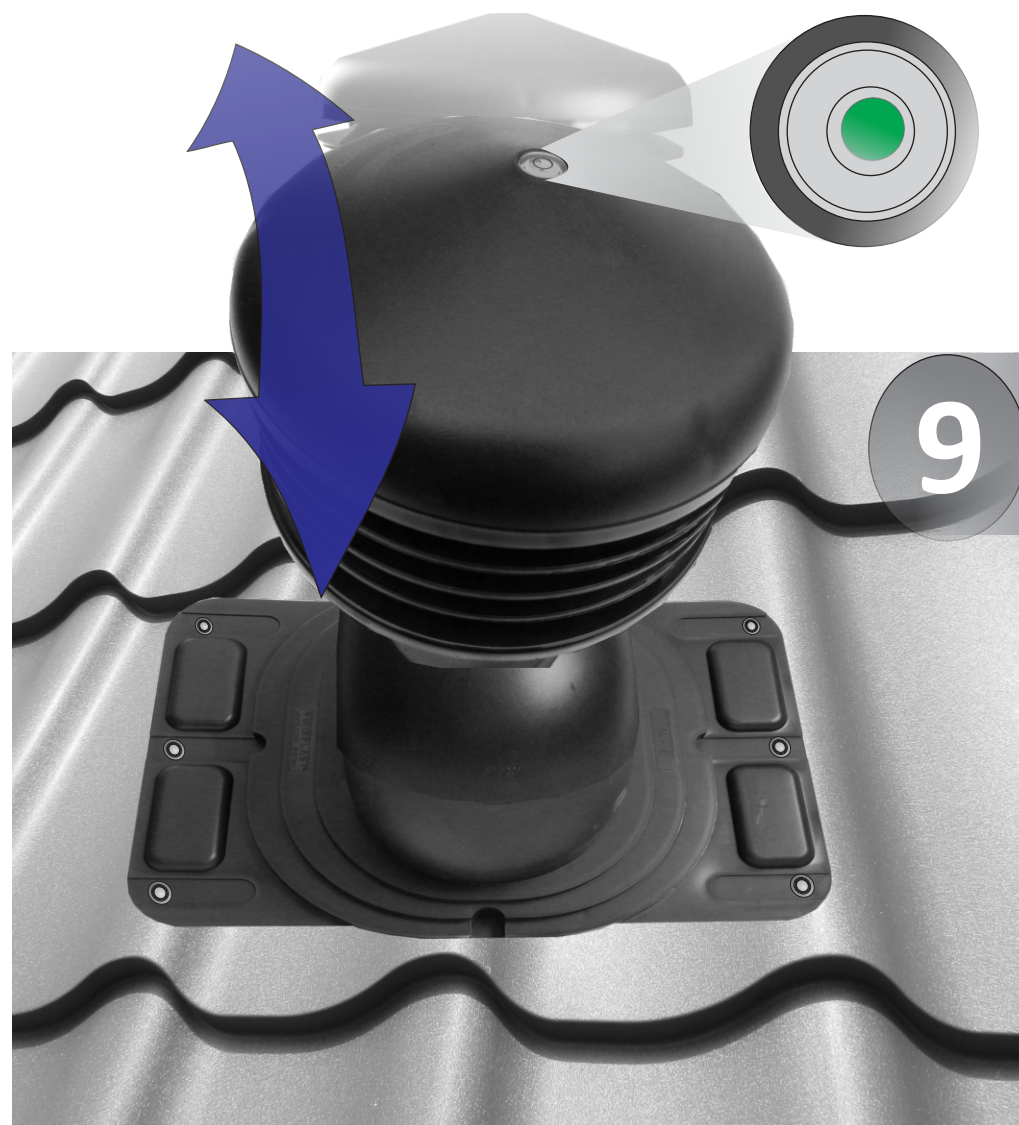
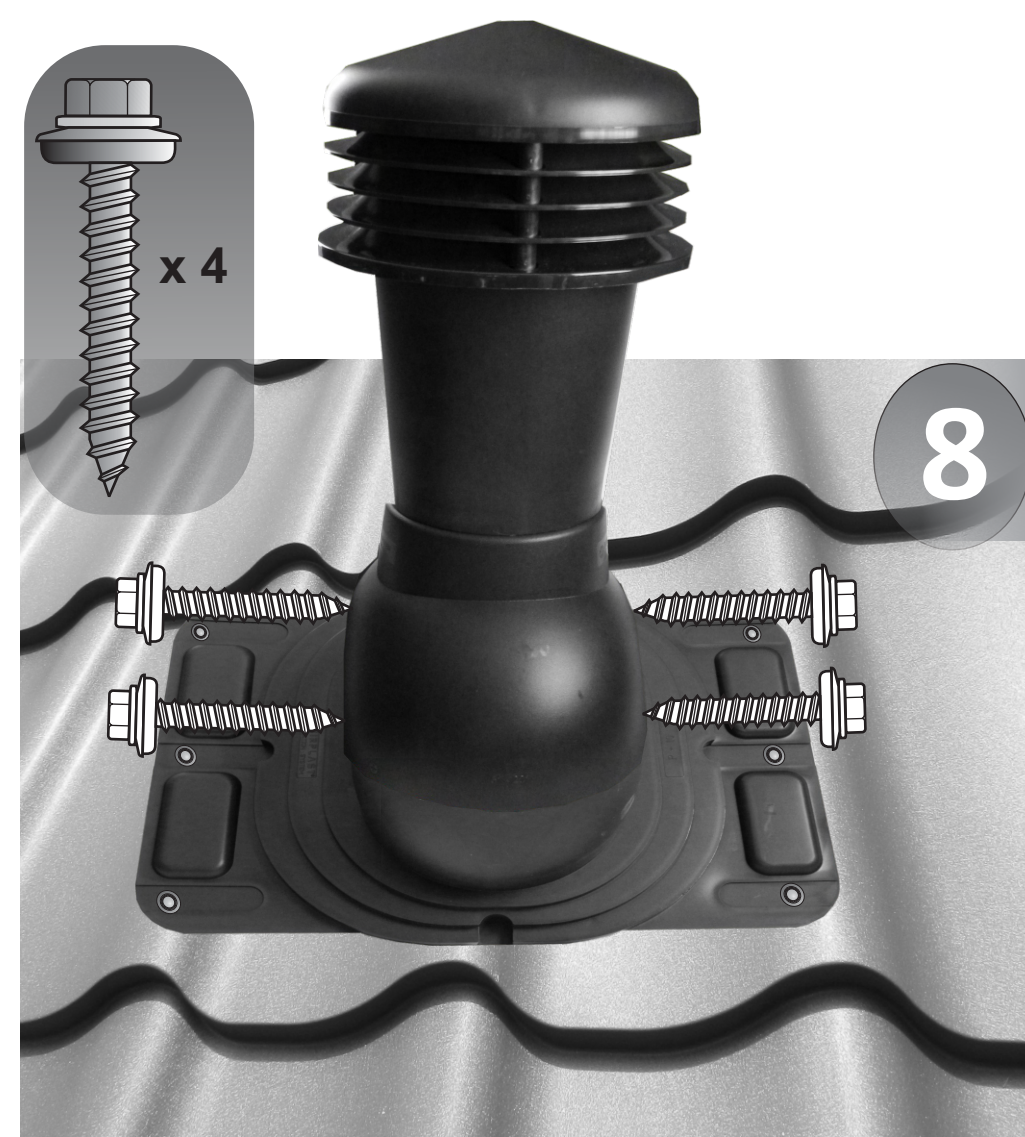
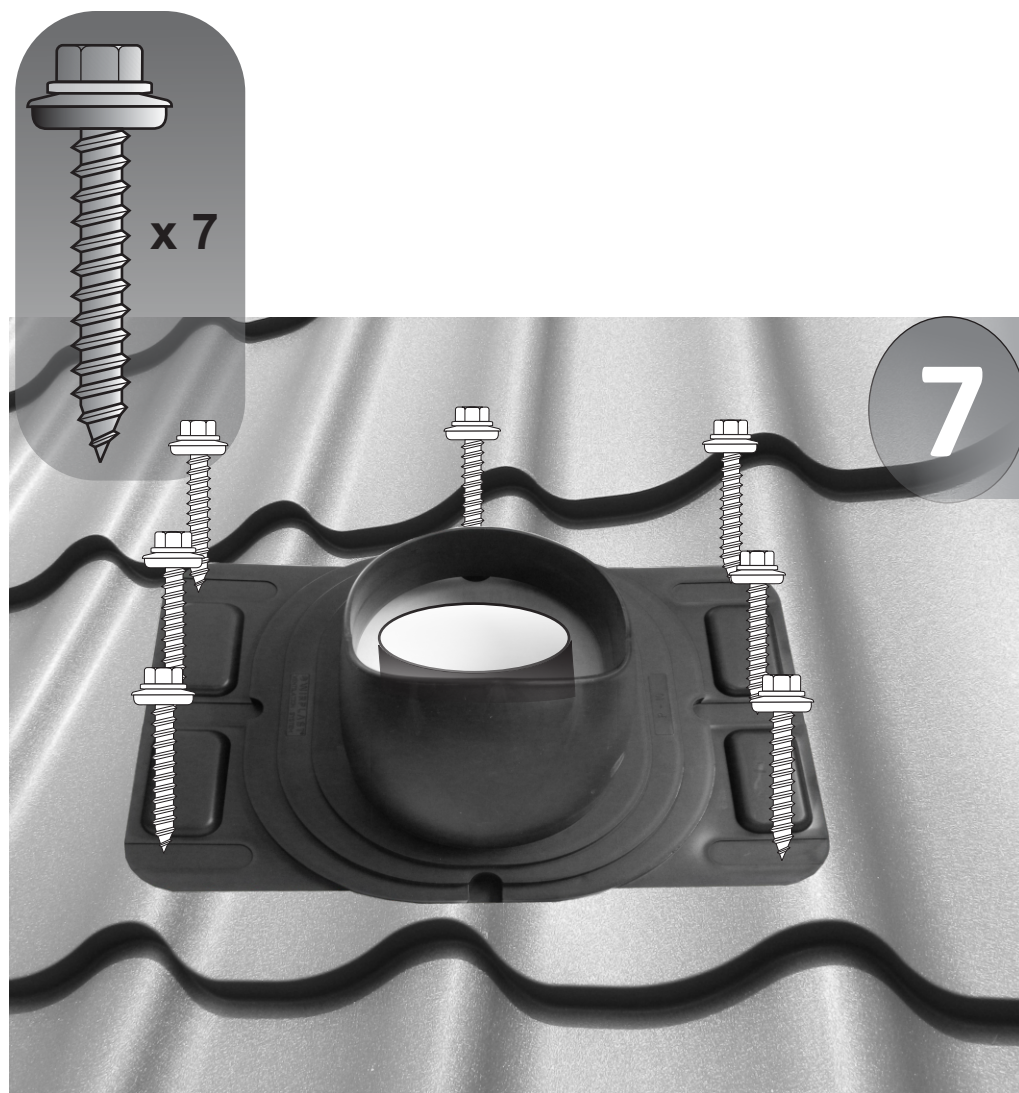


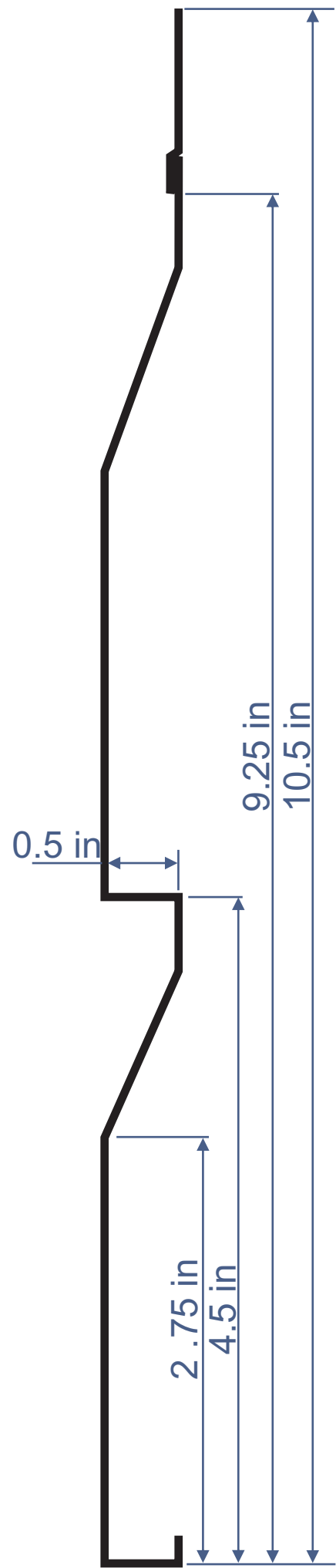
PREMIUM VENT - PV

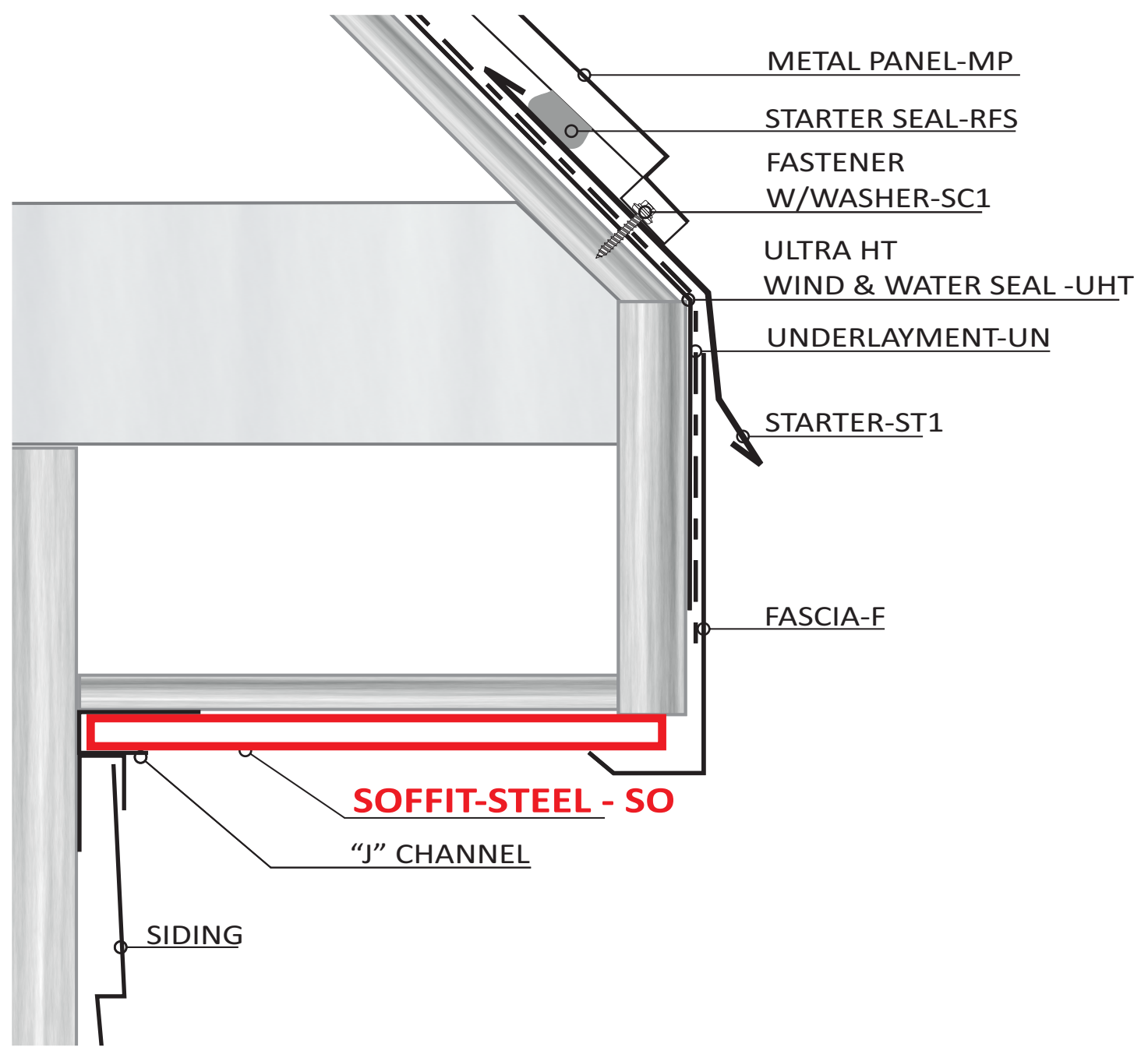


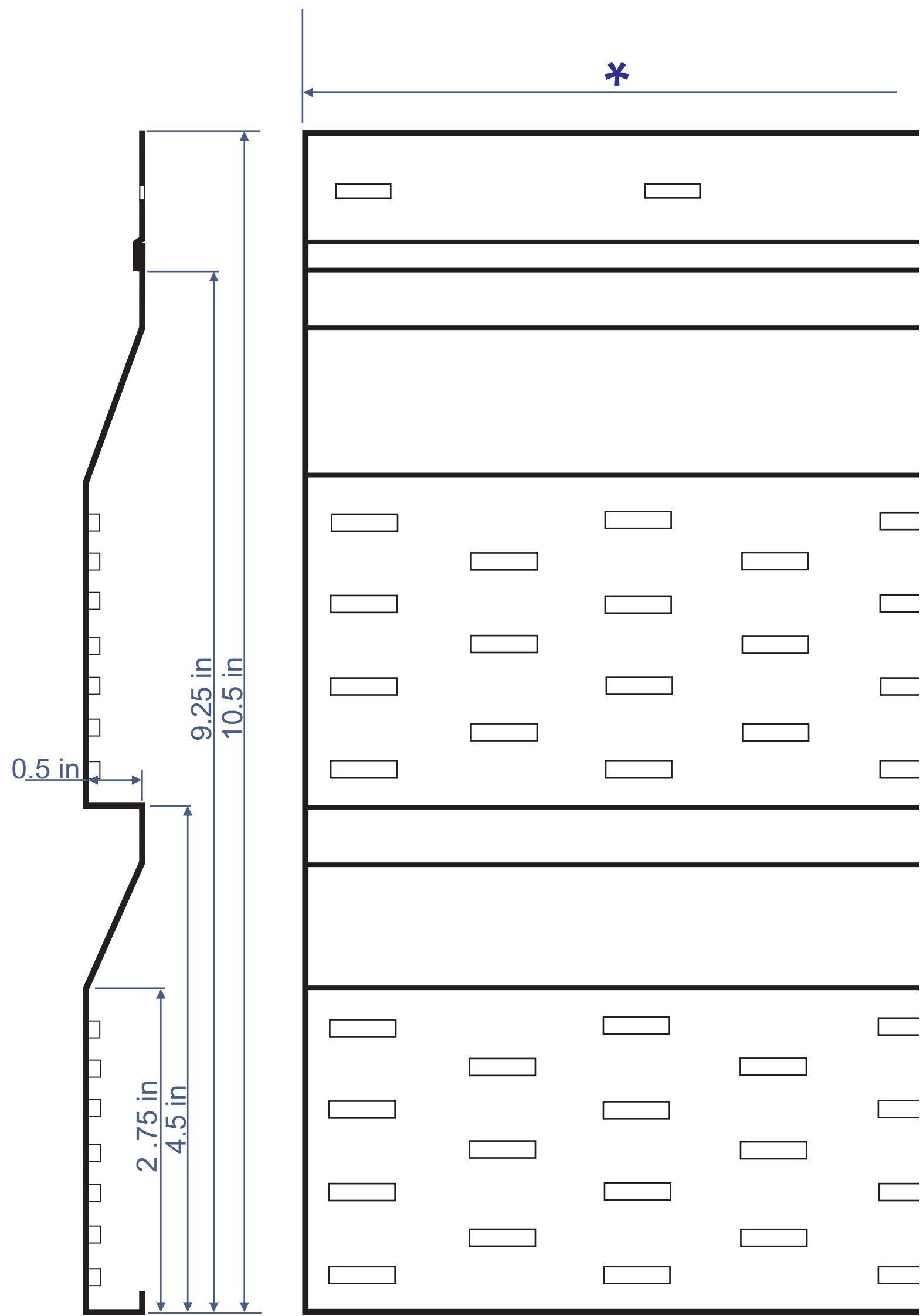
PREMIUM VENT - PV











0.5 in

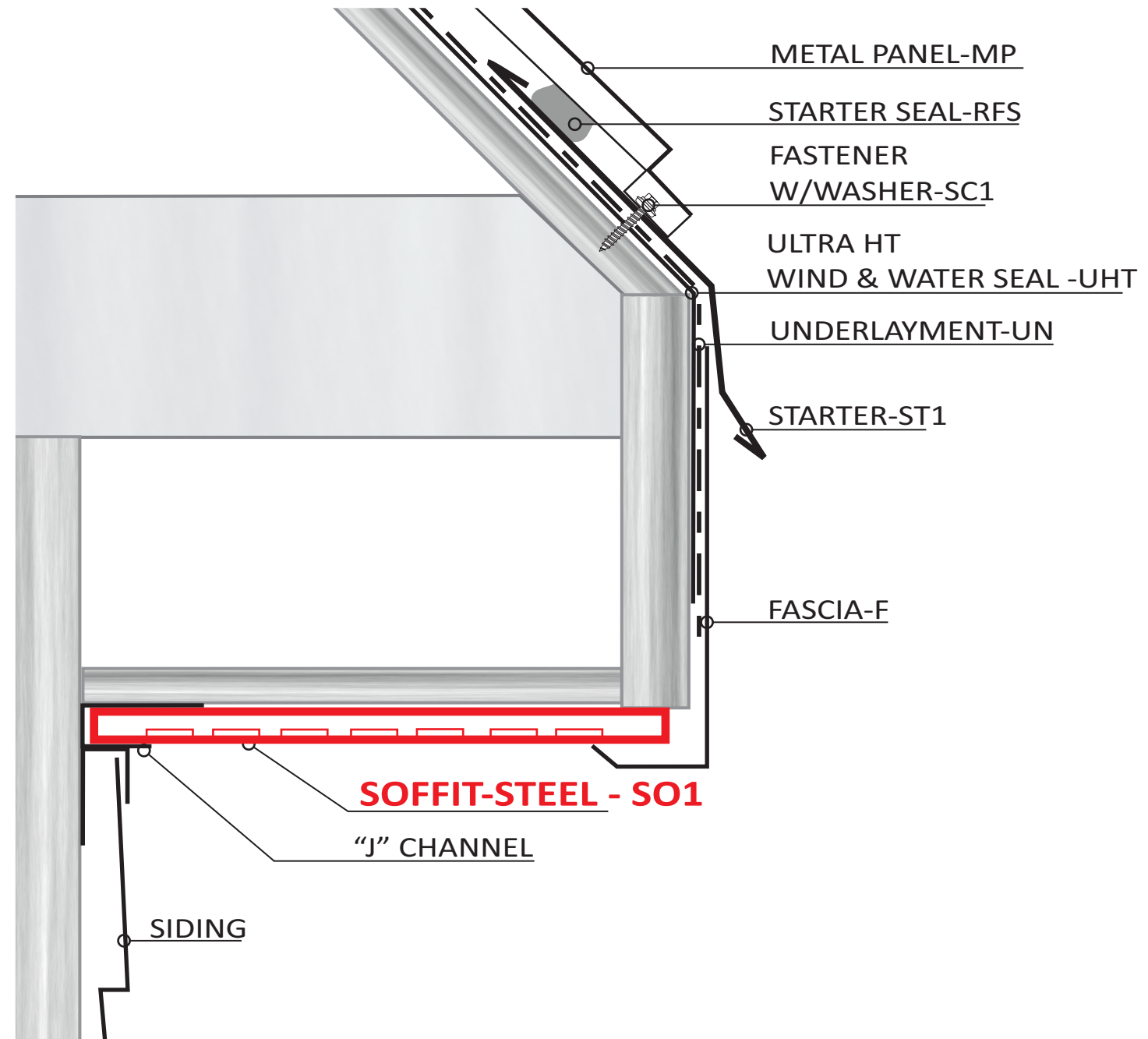
2.75 in

4.5 in

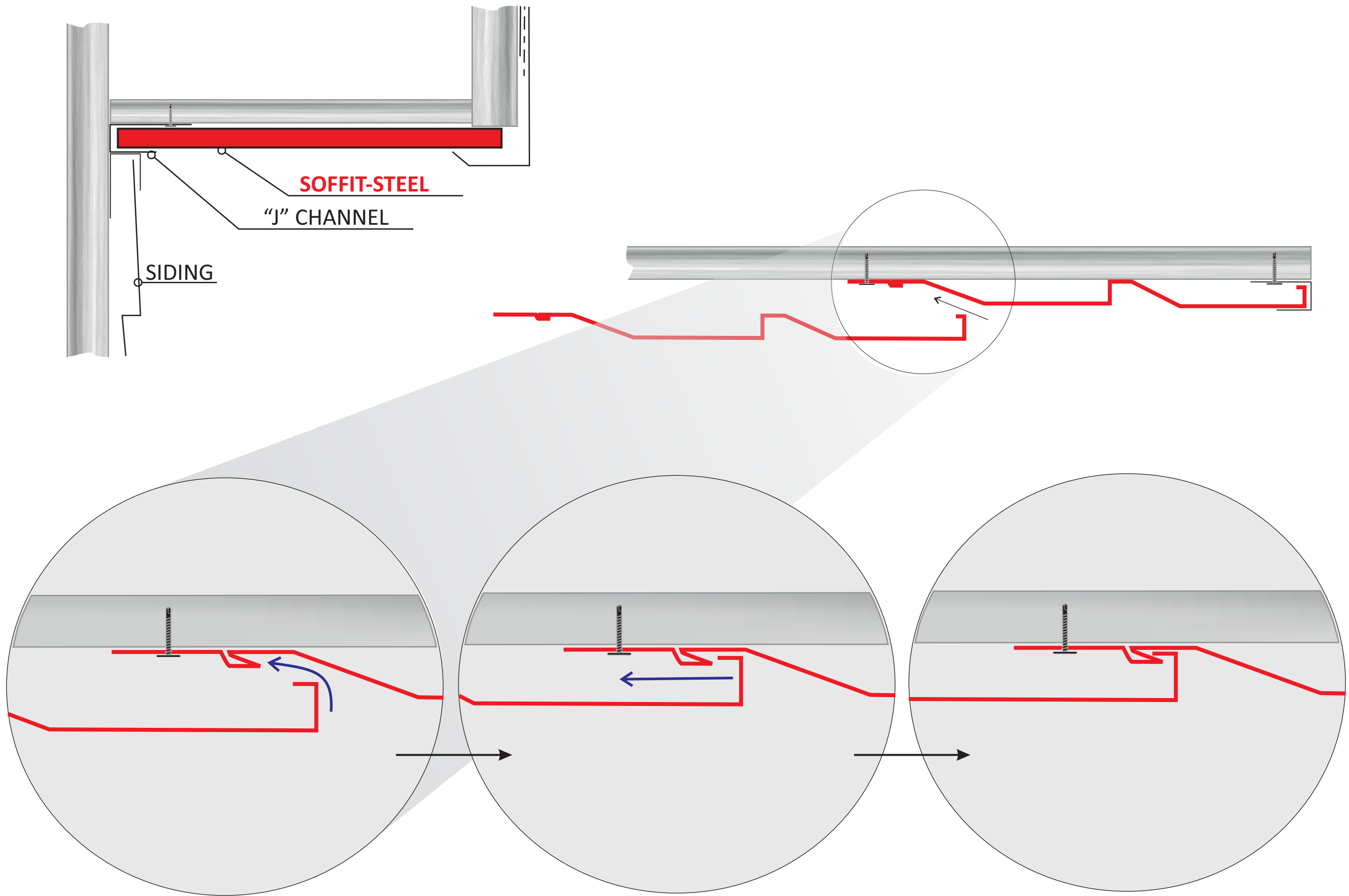
9.25 in

10.5 in

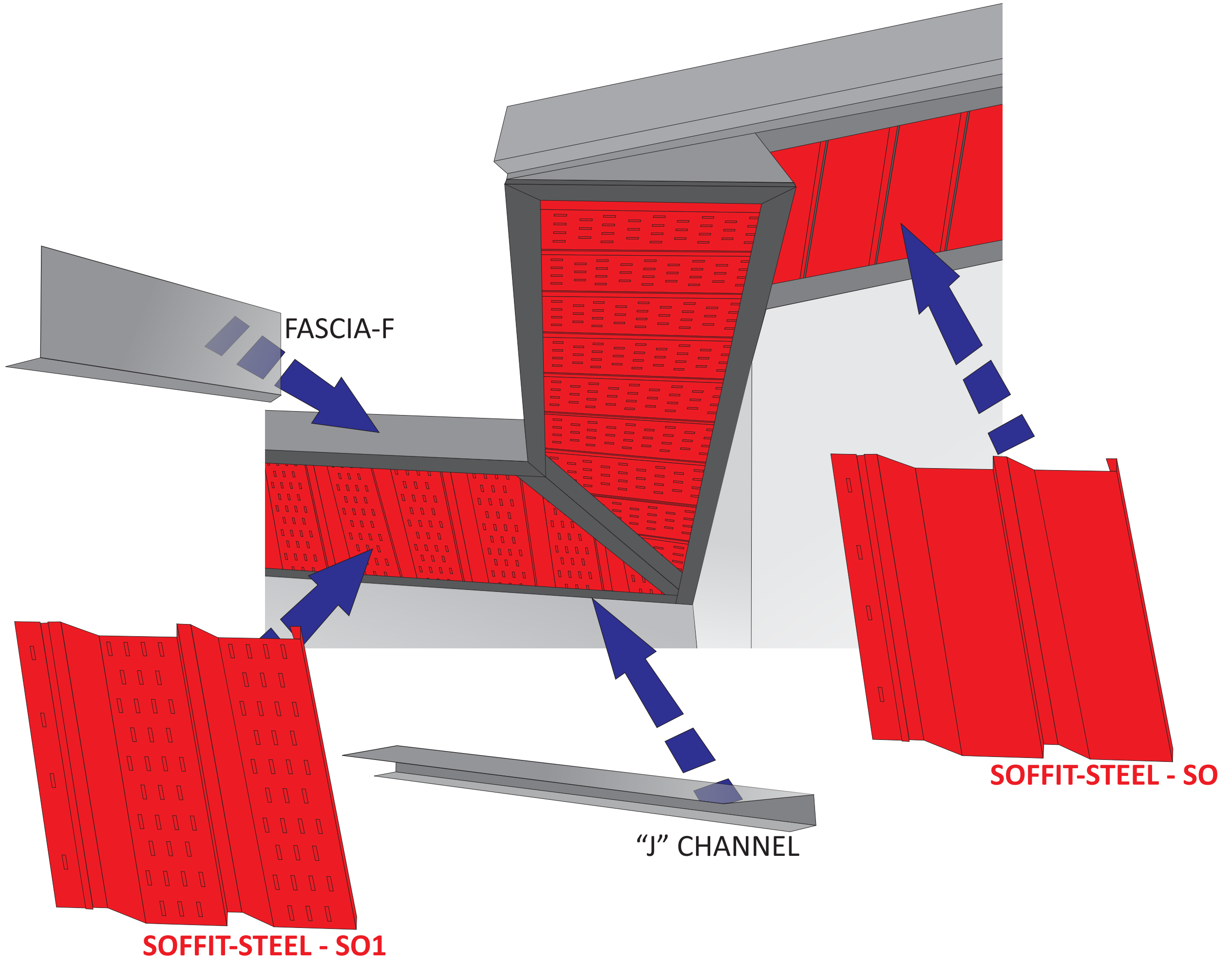
*



SOFFIT-STEEL



SOFFIT-STEEL



ROOF BOOT - EA-BR#2



ROOF BOOT - EA-BR#2



ROOF BOOT - EA-BR#2

